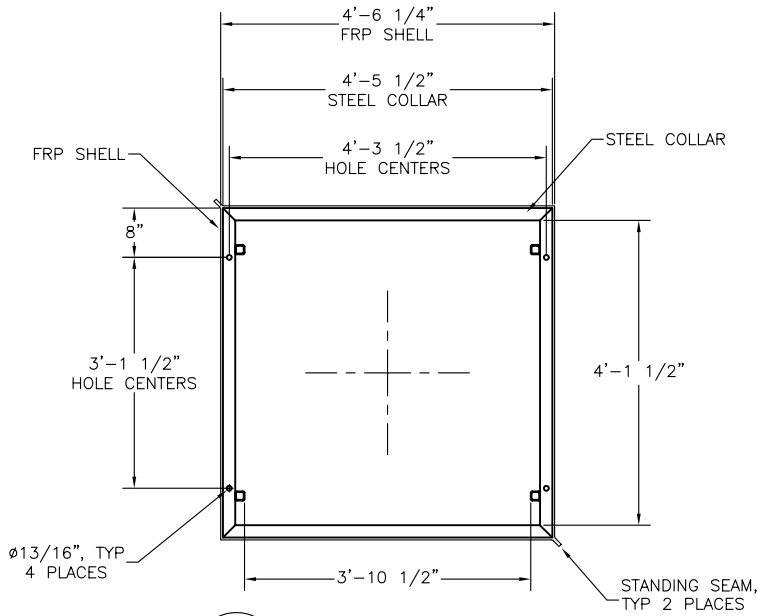
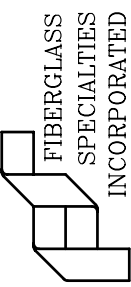


2
S2 TOP OF CU-802



1
S2 BASE OF CU-802

P.O. BOX 1340
HENDERSON, TX 75653-1340
903/657-6522
FAX# 903/657-2318



CUPOLA UNIT 1100
SECTION DETAILS

Project:

Date: 11-14-05

Revisions 06-20-07 AJ

Scale: 3/8" = 1'

Drawing By: AGT

Checked By: ALL-STL

File # CU1100C2

DWG #

Sheet#

S2C

STRUCTURE