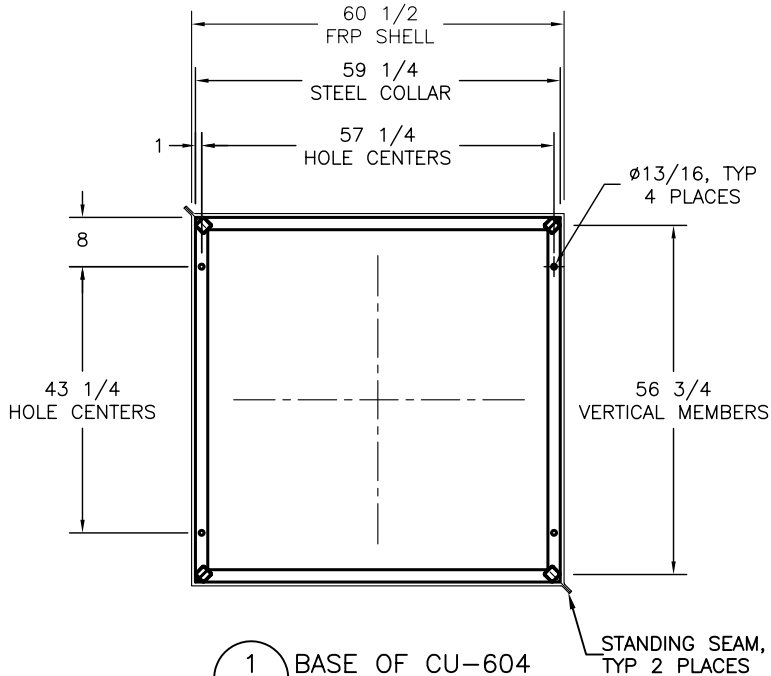
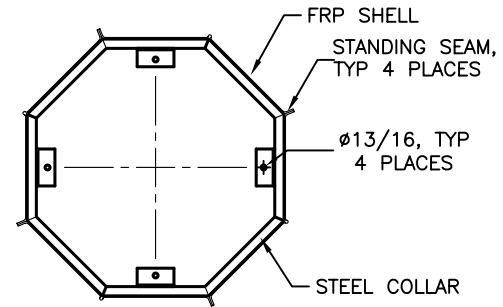


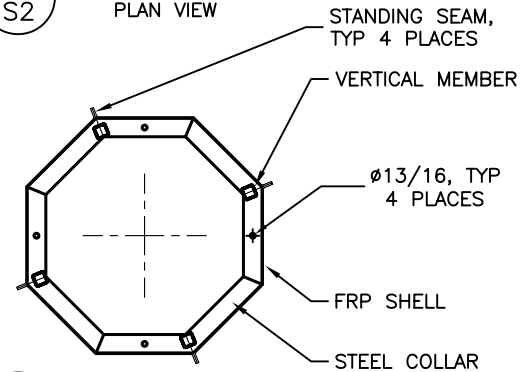
2 TOP OF CU-604
S2



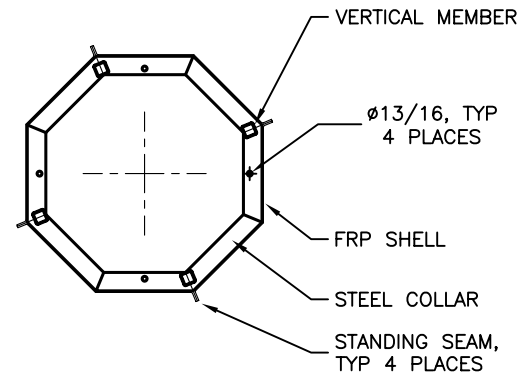
1 BASE OF CU-604
S2 PLAN VIEW



5 BASE OF DM-603
S2 PLAN VIEW



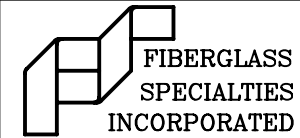
4 TOP OF CU-603
S2



3 BASE OF CU-603
S2 PLAN VIEW

STRUCTURE S2C Sheet#	Drawing By: JC	Date: 07-11-01
	Checked By:	Revisions 04-06-07 AJ
	File # ALL-STL\	
	DWG # CU1107C2	Scale: 3/8"=1'

Project: CUPOLA UNIT # 1107
SECTION DETAILS



P.O. BOX 1340
HENDERSON, TX 75653-1340
903/657-6522
FAX# 903/657-2318