

NOTES:

1. THESE DRAWINGS ARE THE PROPERTY OF FIBERGLASS SPECIALTIES INC. AND MAY NOT BE REPRODUCED WITHOUT EXPRESS WRITTEN PERMISSION FROM FIBERGLASS SPECIALTIES, INC.
2. DIMENSIONS AND DETAILS ARE SUBJECT TO CHANGE WITHOUT NOTICE.
3. ALL CUPOLA AND STEEPLE UNITS ARE FABRICATED USING MINIMAL STANDING SEAMS UNLESS OTHERWISE NOTED. SEE SECTION VIEWS FOR APPROXIMATE LOCATION OF SEAMS.
4. ALL CUPOLA AND STEEPLE UNITS ARE DESIGNED TO BE ERECTED ON A COMPLETED ROOFING SYSTEM.
5. ALTHOUGH OUR CUPOLAS AND STEEPLES ARE WATER RESISTANT WE DO NOT GUARANTEE THEM TO BE LEAK PROOF.
6. FIBERGLASS SPECIALTIES INC. RECOMMENDS THAT THE INSTALLER USE A-325 BOLTS WHEN CONNECTING TO THE ROOF STRUCTURE BELOW.
7. ACTUAL ANCHOR BOLT LOCATIONS MAY VARY. THE INSTALLER SHOULD NOT DRILL HOLES IN ROOF UNTIL UNIT IS ON SITE.
8. DUE TO MANUFACTURING TOLERANCES AND VARIATIONS IN SITE CONDITIONS, METAL SHIMS MAY BE REQUIRED BETWEEN ADJACENT COLLARS.

DESIGN PARAMETERS

The unit described in these drawings is engineered to adequately support the loads created by a wind velocity of 120 MPH at a height of 50' above ground using ASCE 7-02 exposure category "C".

P.O. BOX 1340
 HENDERSON, TX 75653-1340
 903/657-6522
 FAX# 903/657-2318

FIBERGLASS
 SPECIALTIES
 INCORPORATED

CUPOLA UNIT #1109
 CROSS SECTION SHOWING
 INTERNAL STRUCTURE

Project:

Date: 09-05-00

Drawing By: RLB

Sheet#

Revisions 11-15-05 AGT

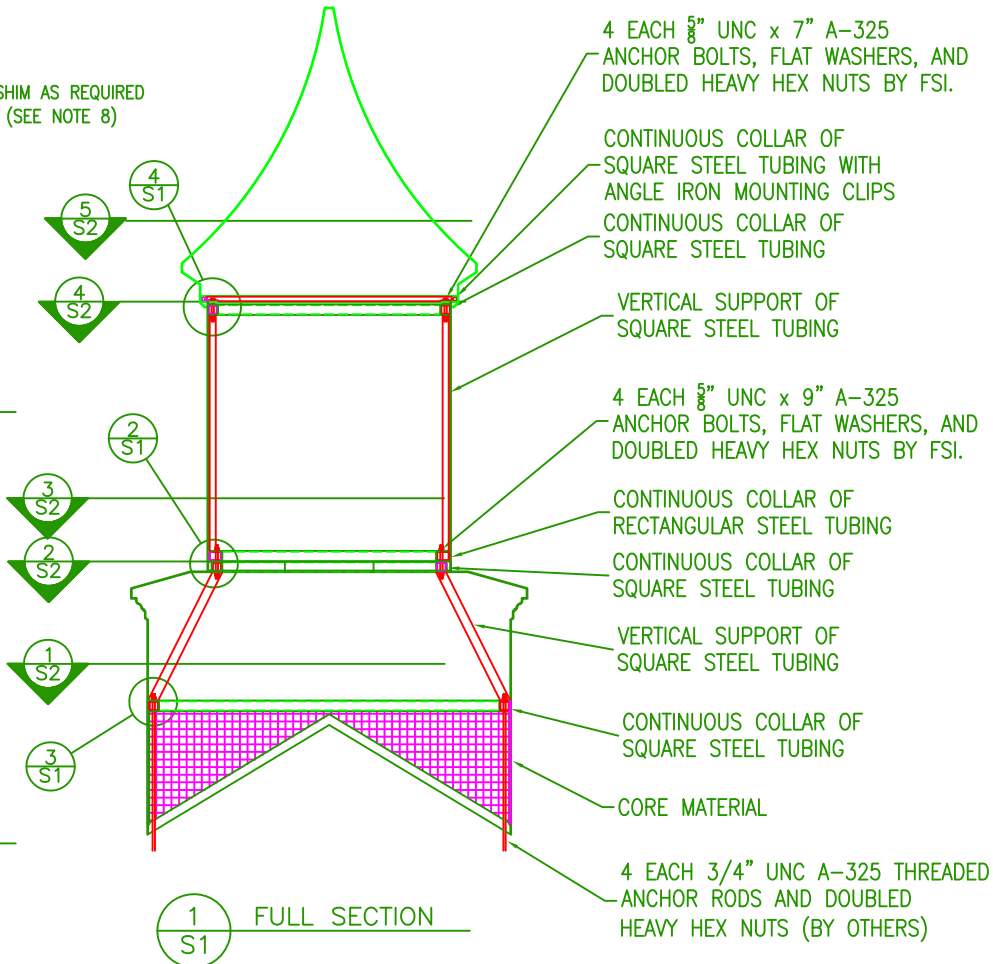
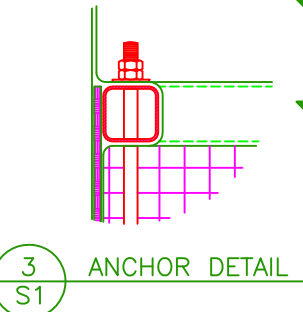
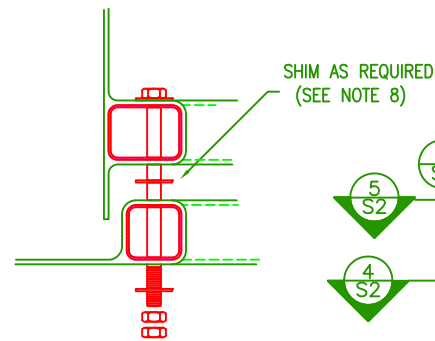
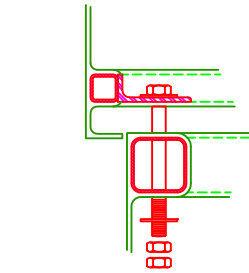
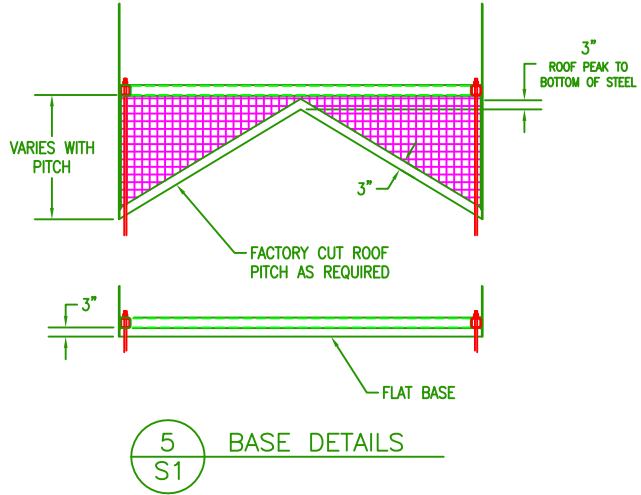
Checked By: ALL-STL

S1C
 STRUCTURE

File # ALL-STL

DWG # CU1109C1

Scale: 3/16" = 1'



4 EACH 5/8" UNC x 7" A-325 ANCHOR BOLTS, FLAT WASHERS, AND DOUBLED HEAVY HEX NUTS BY FSI.

CONTINUOUS COLLAR OF SQUARE STEEL TUBING WITH ANGLE IRON MOUNTING CLIPS
 CONTINUOUS COLLAR OF SQUARE STEEL TUBING

VERTICAL SUPPORT OF SQUARE STEEL TUBING

4 EACH 5/8" UNC x 9" A-325 ANCHOR BOLTS, FLAT WASHERS, AND DOUBLED HEAVY HEX NUTS BY FSI.

CONTINUOUS COLLAR OF RECTANGULAR STEEL TUBING

CONTINUOUS COLLAR OF SQUARE STEEL TUBING

VERTICAL SUPPORT OF SQUARE STEEL TUBING

CONTINUOUS COLLAR OF SQUARE STEEL TUBING

CORE MATERIAL

4 EACH 3/4" UNC A-325 THREADED ANCHOR RODS AND DOUBLED HEAVY HEX NUTS (BY OTHERS)