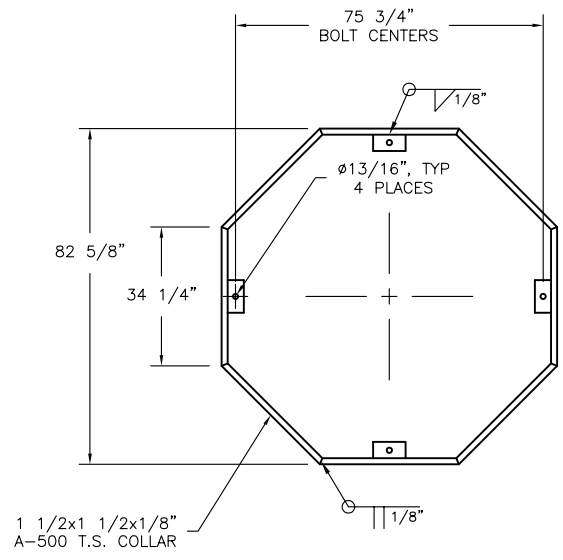
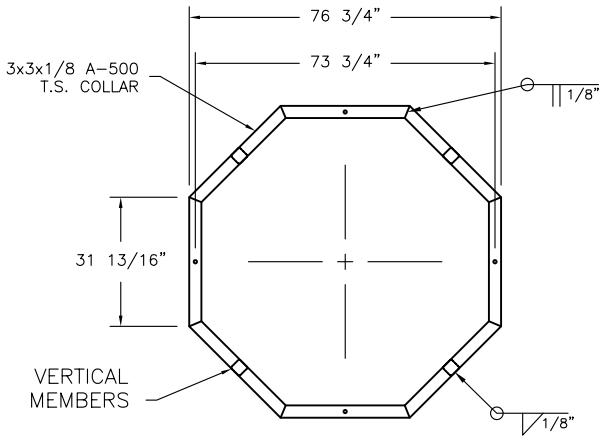


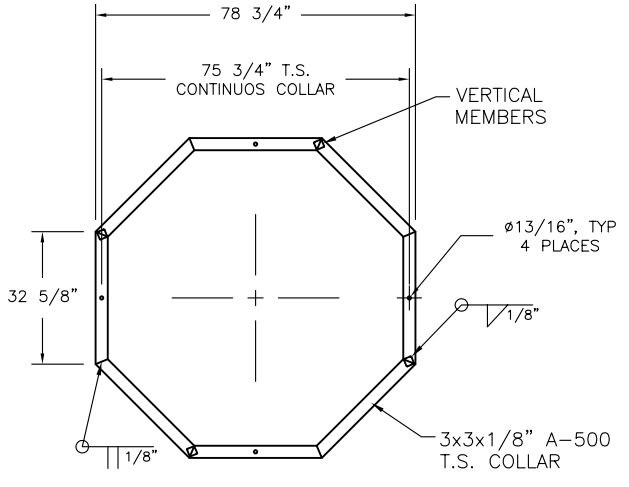
1 BASE OF CU-1050
S3



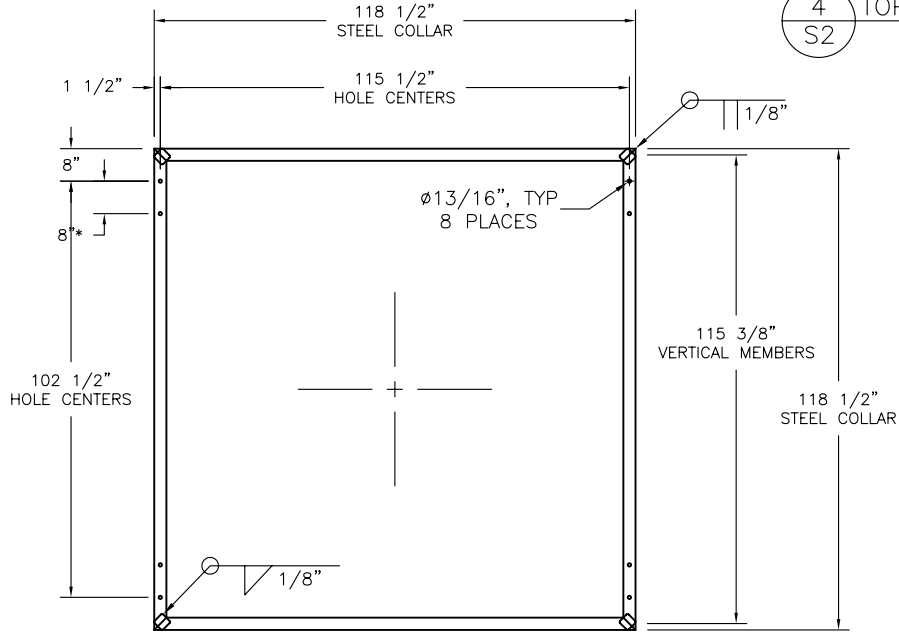
5 BASE OF DM-1050
S2



2 TOP OF CU-705
S2



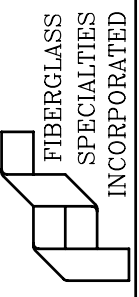
4 TOP OF CU-1050
S2



1 BASE OF CU-705
S2

***NOTE:**
USE 115 1/2" HOLE PATTERN FOR BOLTING UNIT TO STRUCTURE ONLY FOUR (4) BOLTS REQ'D

P.O. BOX 1340
HENDERSON, TX 75653-1340
903/657-6522
FAX# 903/657-2318



Project: CUPOLA UNIT #1109
SECTION DETAILS

Date: 09-06-00

Revisions 07-30-07 AJ

Drawing By: RLB

Checked By: File # SALES RENDERINGS

DWG # CU1109E2

Scale: 1/4" = 1'

Sheet #

S2C
STRUCTURE