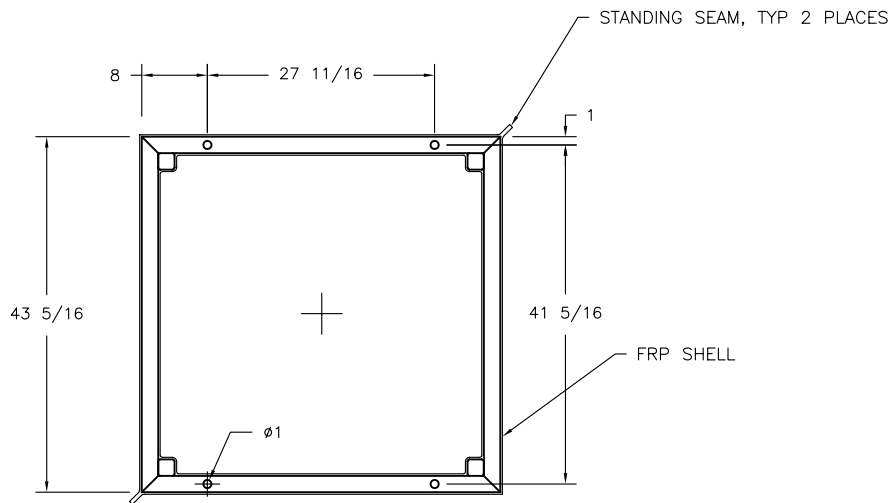
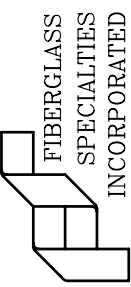


2 TOP OF CU-1190  
S2



1 BASE OF CU-1190  
S2

P.O. BOX 1340  
HENDERSON, TX 75653-1340  
903/657-6522  
FAX# 903/657-2318



Project: CUPOLA UNIT# 1190H  
SECTION DETAILS

Date: 11-2-05  
Revisions 10-11-07 AJ

Drawing By: AGT  
Checked By: ALL-STL  
File # ALL-STL  
DWG # CU1190C2

Scale: 1/2" = 1'

Sheet# S2C  
STRUCTURE