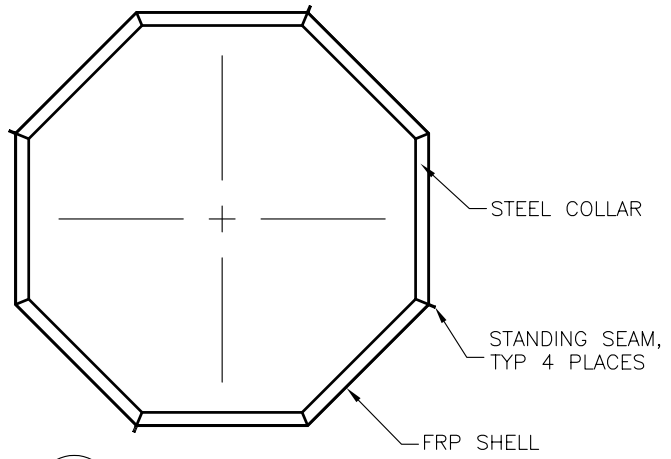
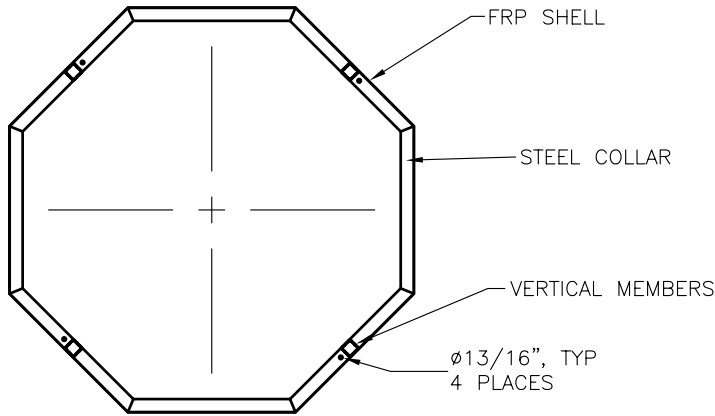


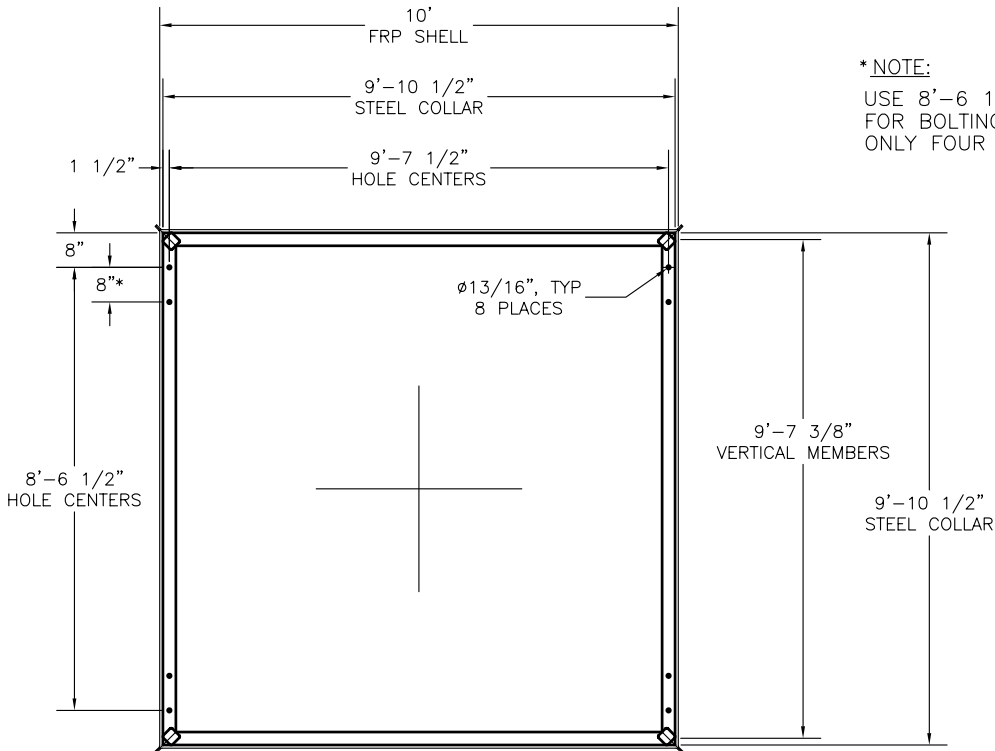
3 BASE OF CU-1250  
 S2 PLAN VIEW



3 TOP OF CU-1250  
 S2 PLAN VIEW



2 TOP OF CU-705  
 S2

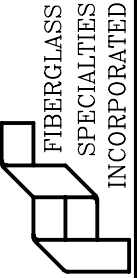


1 BASE OF CU-705  
 S2 PLAN VIEW

\* NOTE:  
 USE 8'-6 1/2" HOLE PATTERN  
 FOR BOLTING UNIT TO STRUCTURE  
 ONLY FOUR (4) BOLTS REQ'D

STANDING SEAM,  
 TYP 4 PLACES

P.O. BOX 1340  
 HENDERSON, TX 75653-1340  
 903/657-6522  
 FAX# 903/657-2318



CUPOLA UNIT #1200  
 SECTION DETAILS

Project:

Date: 07-03-01

Revisions 03-09-07 AJ

Drawing By: JC

Checked By: ALL-STL

File # CU1200C2

Scale: NONE

Sheet #

S2C  
 STRUCTURE