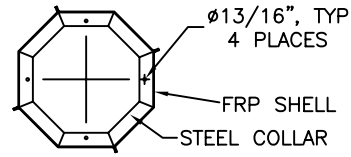
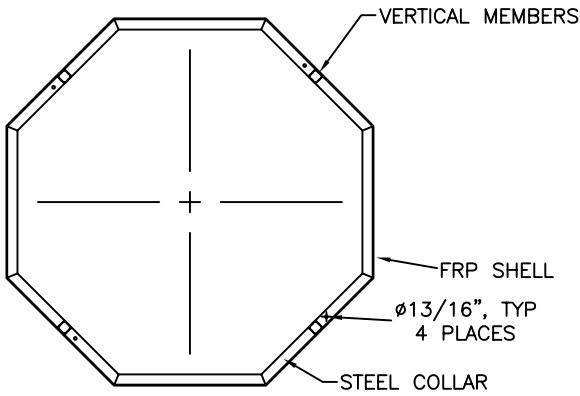


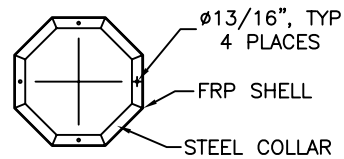
3 BASE OF CU-1301
S2 PLAN VIEW



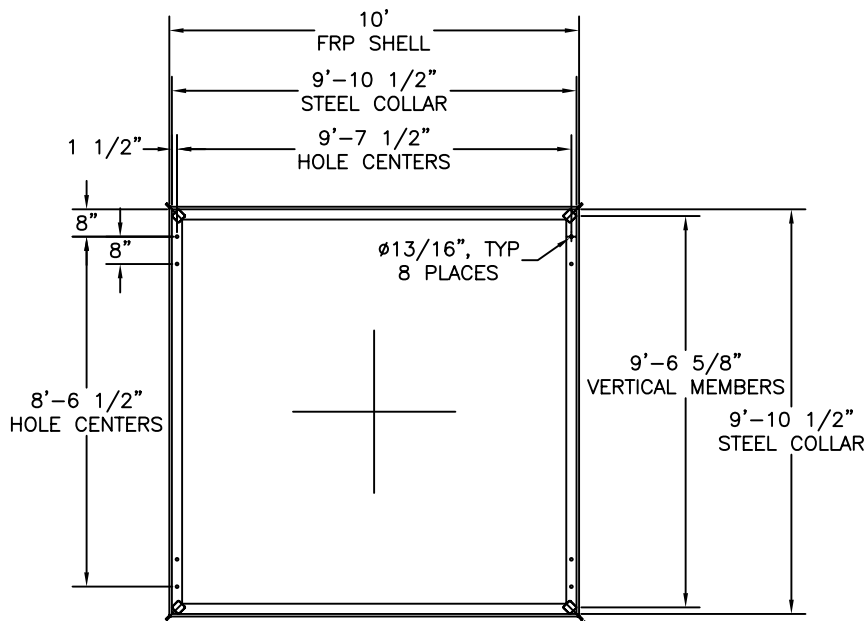
5 BASE OF CU-1103A
S2 PLAN VIEW



2 TOP OF CU-705
S2



4 TOP OF CU-1301
S2



1 BASE OF CU-705
S2 PLAN VIEW

STANDING SEAM,
TYP 4 PLACES

*NOTE:
USE 8'-6 1/2" HOLE PATTERN
FOR BOLTING UNIT TO STRUCTURE
ONLY FOUR (4) BOLTS REQ'D

P.O. BOX 1340
HENDERSON, TX 75653-1340
903/657-6522
FAX# 903/657-2318

FIBERGLASS
SPECIALTIES
INCORPORATED

CUPOLA UNIT #1300
SECTION DETAILS

Project:

Date: 07-11-01

Revisions 12-19-05 AGT

Drawing By: JC

Checked By: ALL-STL

File # CU1300C2

Scale: NONE

Sheet #

S2C

STRUCTURE