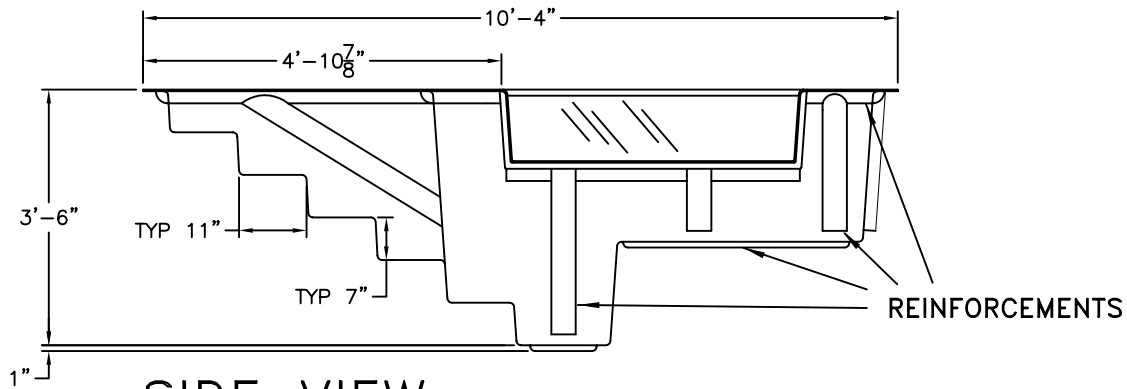


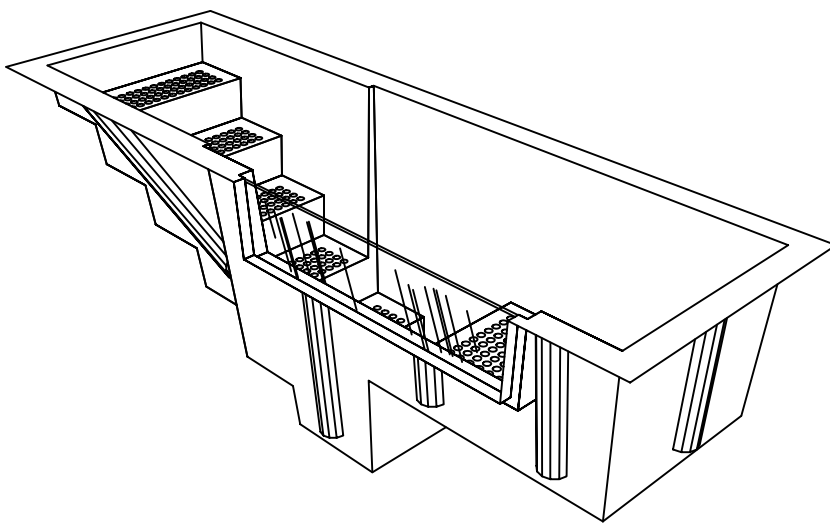
PLAN VIEW

Capacity: 350 gal.

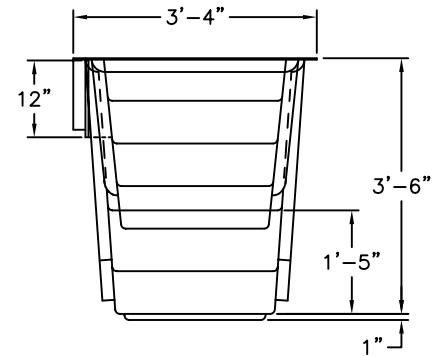


SIDE VIEW

NOTE:
 Steps shall conform to nationally accepted model building code requirements with regard to riser height and tread width. Step tread surfaces shall have a raised disk slip-resistant surface. All corners shall be gently rounded for safety.



PERSPECTIVE VIEW
 "NO SCALE"



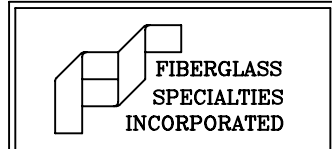
END VIEW

Installation Notes:
 Plumbing holes (drain, heater, etc.) to be located and cut in field by contractor or plumber. Drain should be located in any of the four corners of the tank floor.

SHEET
 NO. 1 OF 1

DATE: 04-19-00	SHEET FILE NAME: SALREND\PRES
DRAWN BY: RLB	REVISION: 0
CHECKED BY:	APPROVED BY:

BAPTISTRY EZ1-WL



P.O. BOX 1340
 HENDERSON, TEXAS
 75653-1340
 903/657-6522
 FAX# 903/657-2318