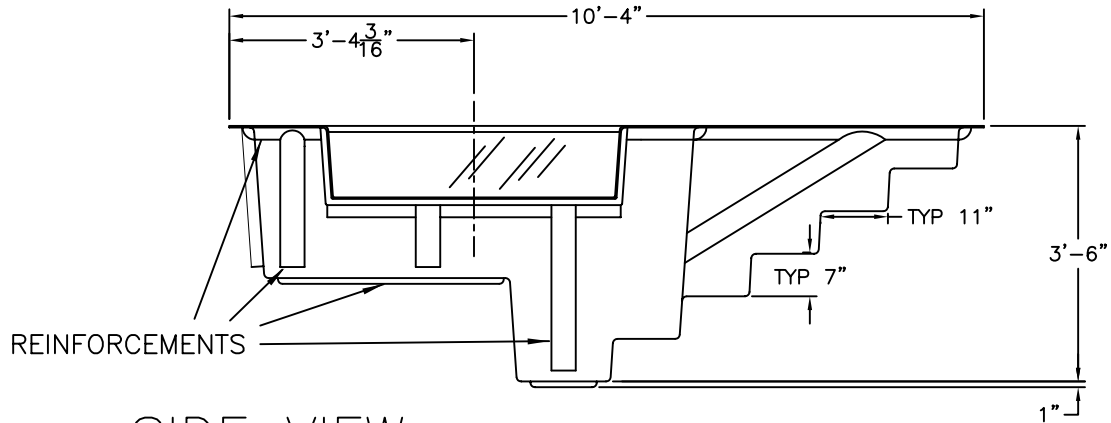


PLAN VIEW

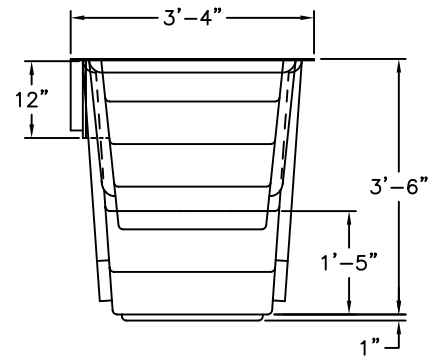
Capacity: 350 gal.



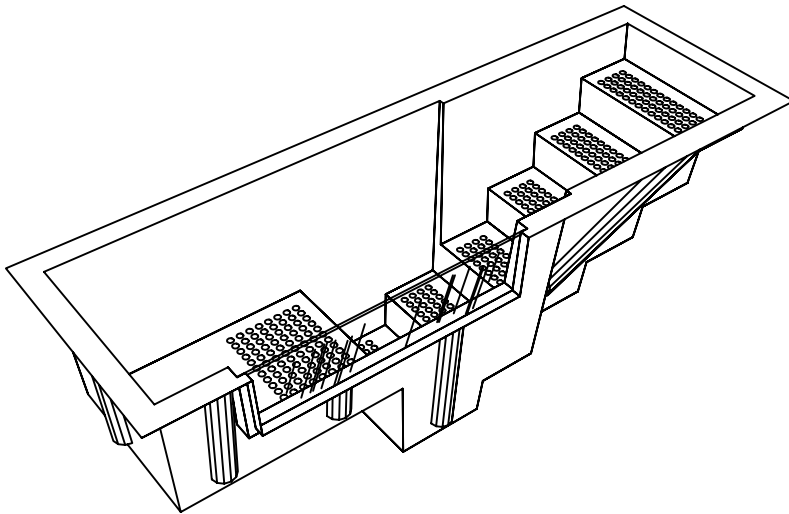
SIDE VIEW

NOTE:

Steps shall conform to nationally accepted model building code requirements with regard to riser height and tread width. Step tread surfaces shall have a raised disk slip-resistant surface. All corners shall be gently rounded for safety.



END VIEW



PERSPECTIVE VIEW
"NO SCALE"

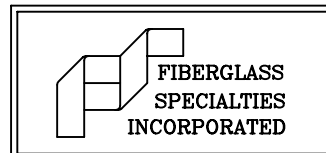
Installation Notes:

Plumbing holes (drain, heater, etc.) to be located and cut in field by contractor or plumber. Drain should be located in any of the four corners of the tank floor.

SHEET NO. 1 OF 1

DATE: 10-30-02	SHEET FILE NAME: NEW BAPT\EZ
DRAWN BY: JC	REVISION: 0
CHECKED BY:	APPROVED BY:

BAPTISTRY EZ1-WR



P.O. BOX 1340
HENDERSON, TEXAS
75653-1340
903/657-6522
FAX# 903/657-2318