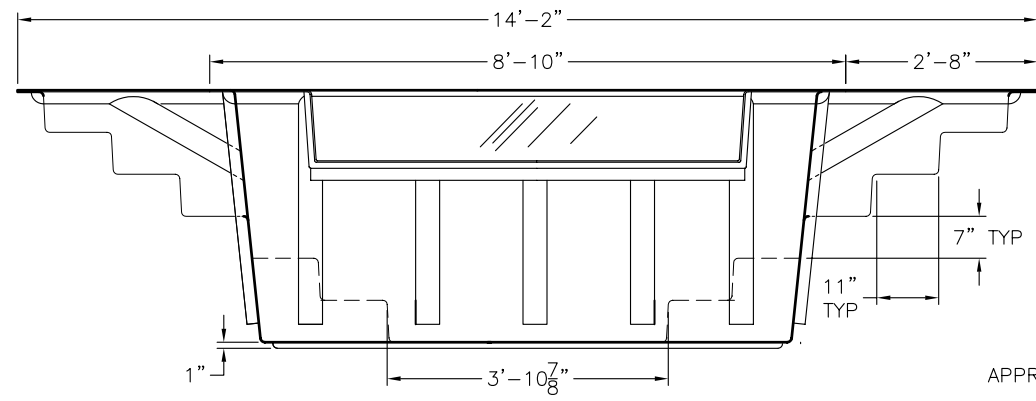
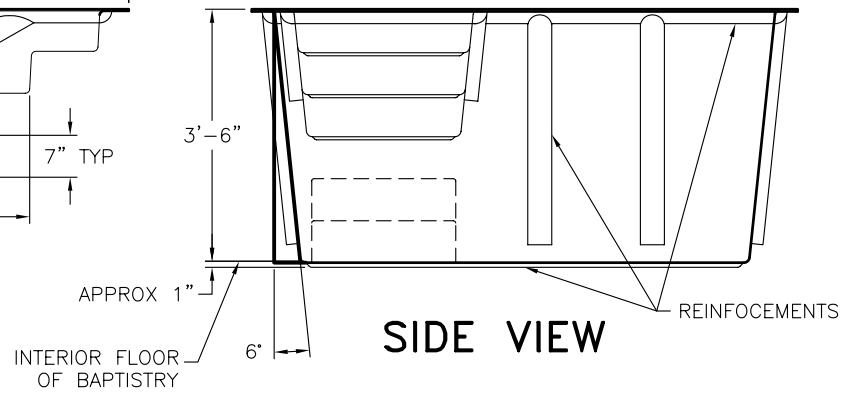


PLAN VIEW



END VIEW



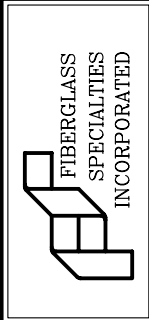
SIDE VIEW

INSTALLATION NOTES:
 Plumbing holes (drain, heater, etc.) to be located and cut in field by contractor or plumber.
 Drain should be located in any of the four corners of the tank floor.

NOTE:
 Steps shall conform to nationally accepted model building code requirements with regard to riser height and tread width. Step tread surfaces shall have a raised disk slip-resistant surface. All corners shall be gently rounded for safety.

Capacity: 940 gal.

P.O. BOX 1340
 HENDERSON, TEXAS
 75653-1340
 903/657-6522
 FAX# 903/657-2318



BAPTISTRY
 LG-2AI-W

DATE:	7-31-06	SHEET FILE NAME:	NEW BAPT\LG-AI
DRAWN BY:	THE	REVISION:	02-21-07 AJ
CHECKED BY:		SCALE:	3/8" = 1'

SHEET
 NO. 1 OF 1