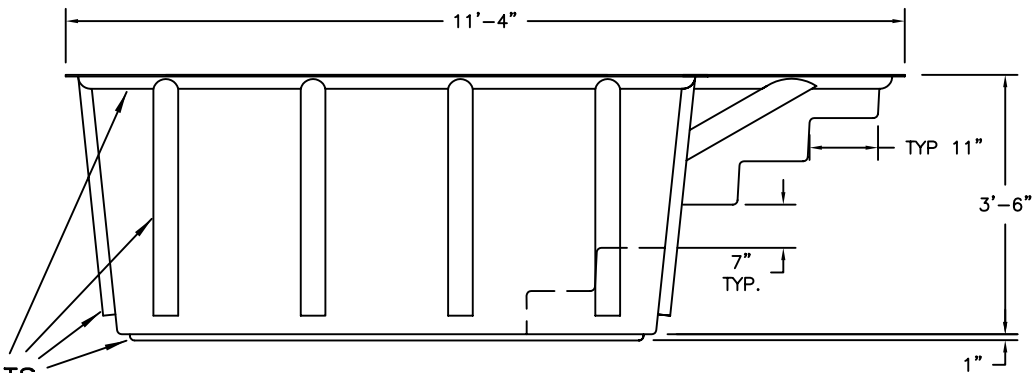


PLAN VIEW

Capacity: 750 gal.

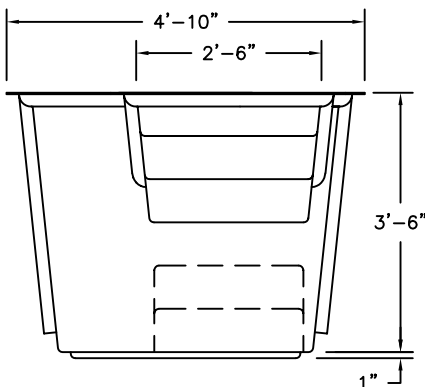


REINFORCEMENTS

SIDE VIEW

NOTE:

STEPS SHALL CONFORM TO NATIONALLY ACCEPTED BUILDING CODE REQUIREMENTS WITH REGARD TO RISER HEIGHT AND TREAD WIDTH. STEP TREAD SURFACES SHALL HAVE A RAISED DISK SLIP-RESISTANT SURFACE. ALL CORNERS SHALL BE GENTLY ROUNDED FOR SAFETY.



END VIEW

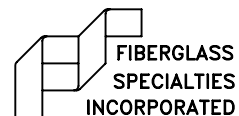
INSTALLATION NOTES:

PLUMBING HOLES (DRAIN, HEATER, ETC...) TO BE LOCATED AND CUT IN FIELD BY GENERAL CONTRACTOR. DRAIN SHOULD BE LOCATED IN ANY OF THE FOUR CORNERS OF THE TANK FLOOR.

SHEET NO. 1 OF 1

DATE: 09-12-02	SHEET FILE NAME: NEW BAPT\MI-D
DRAWN BY: JC	REVISION: 0
CHECKED BY:	APPROVED BY:

BAPTISTRY M1-D



P.O. BOX 1340
HENDERSON, TEXAS
75653-1340
903/657-6522
FAX# 903/657-2318