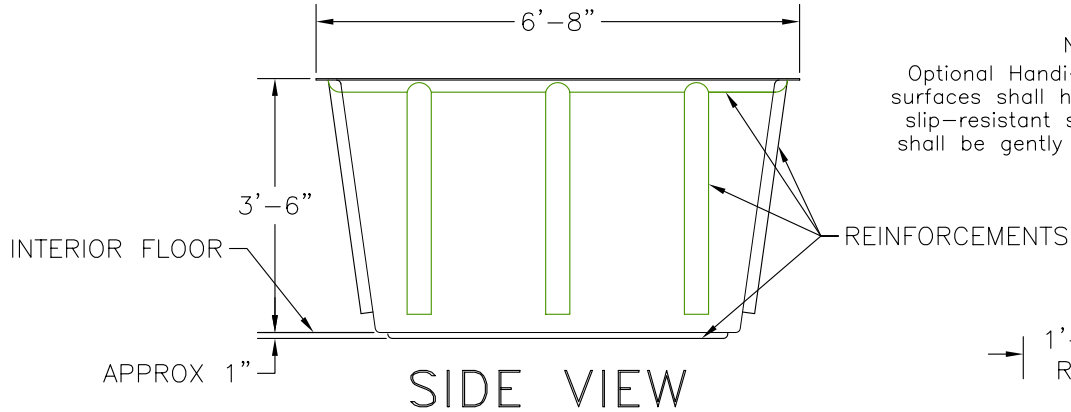


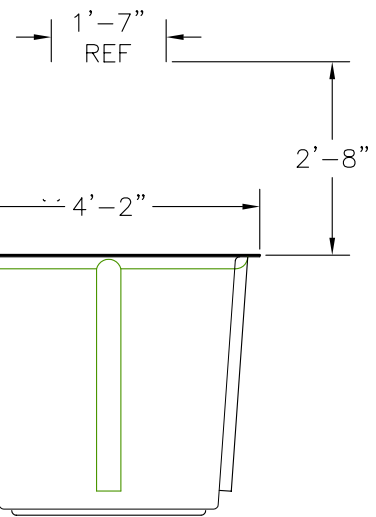
PLAN VIEW

Capacity: 490 gal.



SIDE VIEW

NOTE:  
Optional Handi-Step ladder tread surfaces shall have a raised pebble slip-resistant surface. All corners shall be gently rounded for safety.



END VIEW



PERSPECTIVE VIEW

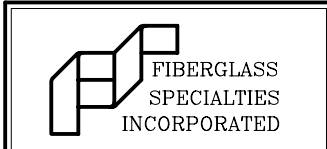
"NO SCALE"

Installation Notes:  
Plumbing holes (drain, heater, etc.) to be located and cut in field by contractor or plumber.  
Drain should be located in any of the four corners of the tank floor.

SHEET NO. 1 OF 1

DATE: 07-28-03	SHEET FILE NAME: NEW BAPT\MINI
DRAWN BY: RLB	REVISION: 03-08-07 AJ
CHECKED BY:	SCALE: 3/8" = 1'

BAPTISTRY MINI



P.O. BOX 1340  
HENDERSON, TEXAS  
75653-1340  
903/657-6522  
FAX# 903/657-2318