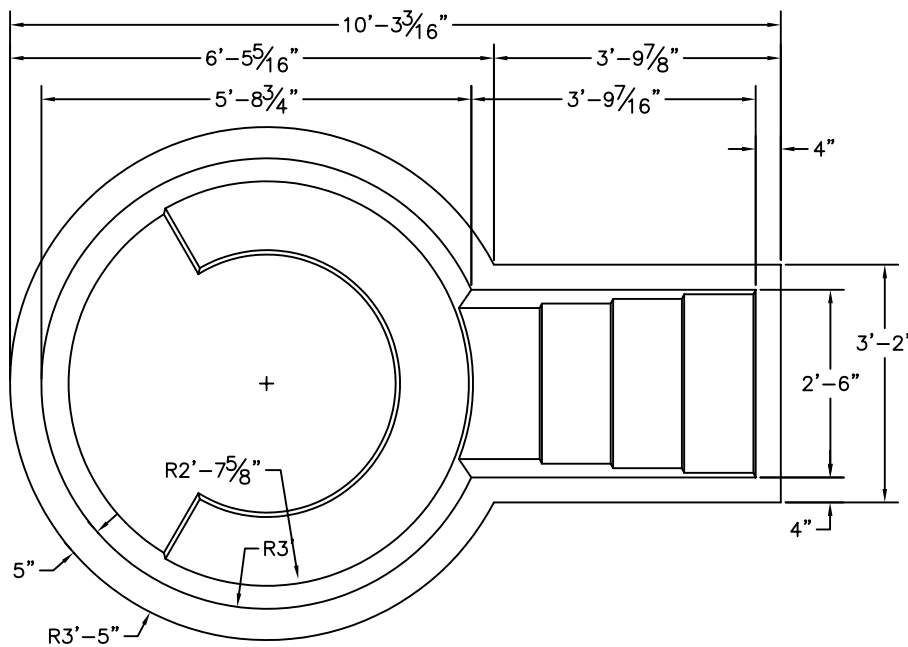


Capacity: 735 gal.

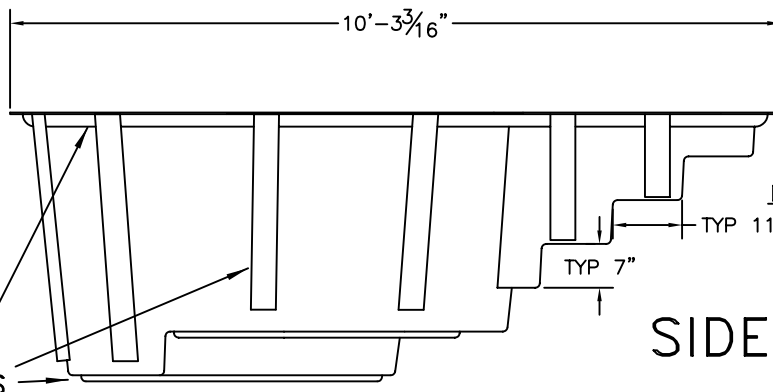


### PLAN VIEW

**NOTE:**

Steps shall conform to nationally accepted model building code.

Step tread surfaces shall have a slip-resistant surface. All corners shall be gently rounded for safety.



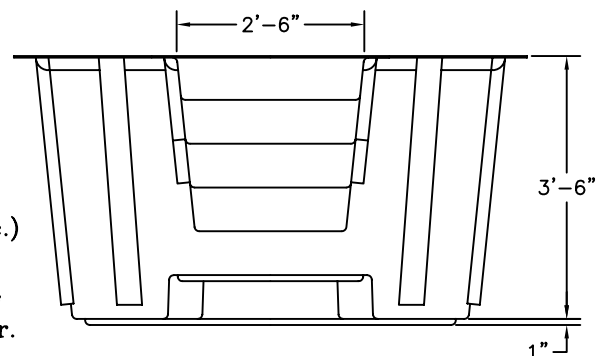
**NOTE:** REINFORCEMENT LOCATION WILL VARY AT BACK SIDE FOR DRAIN LOCATIONS

### SIDE VIEW

REINFORCEMENTS

### END VIEW

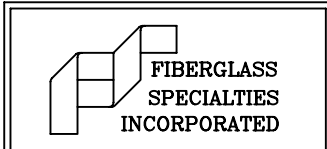
**Installation Notes:**  
 Plumbing holes (drain, heater, etc.) to be located and cut in field by contractor or plumber.  
 Drain should be located in any of the four corners of the tank floor.



SHEET NO. 1 OF 1

DATE: 10-08-03	SHEET FILE NAME: NEW-BAPT/MOD
DRAWN BY: TDR	REVISION: 6-14-06 THE
CHECKED BY:	APPROVED BY:

**MODIFIED  
 BAPTISTRY R1R  
 CENTER STEPS**



P.O. BOX 1340  
 HENDERSON, TEXAS  
 75653-1340  
 903/657-6522  
 FAX# 903/657-2318