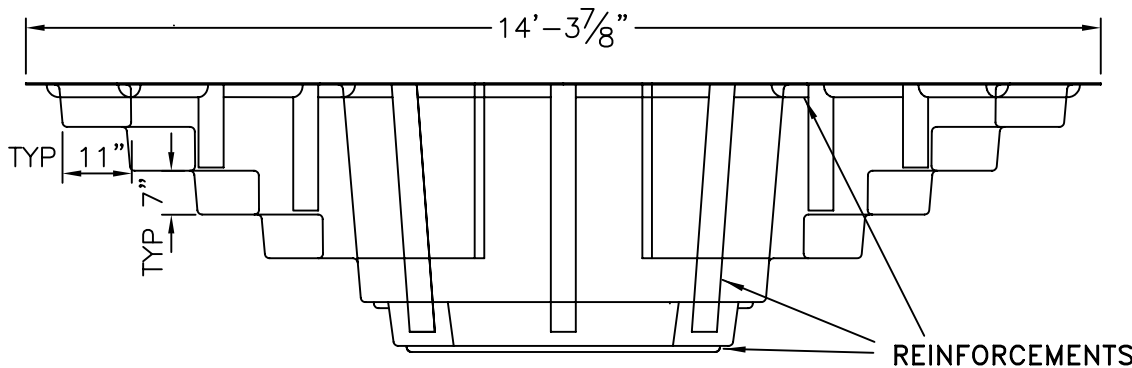


Capacity: 850 gal.

PLAN VIEW

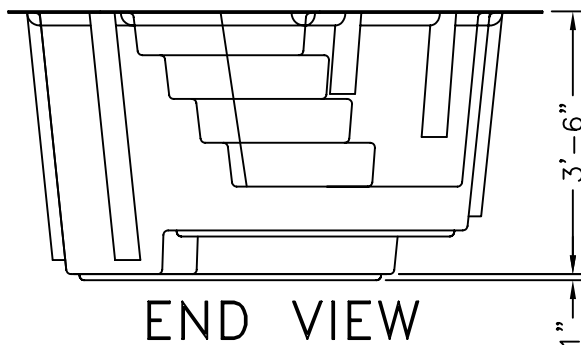


REINFORCEMENTS

NOTE: REINFORCEMENT LOCATION WILL VARY AT BACK SIDE FOR DRAIN LOCATIONS

SIDE VIEW

NOTE:  
Steps shall conform to nationally accepted model building code. Step tread surfaces shall have a raised disk slip-resistant surface. All corners shall be gently rounded for safety.



END VIEW

Installation Notes:  
Plumbing holes (drain, heater, etc.) to be located and cut in field by contractor or plumber. Drain should be located in any of the four corners of the tank floor.

SHEET  
NO. 1 OF 1

DATE: 10-28-02	SHEET FILE NAME: SALESREND/R2-45
DRAWN BY: JC	REVISION: 0
CHECKED BY:	APPROVED BY:

BAPTISTRY R2-45



P.O. BOX 1340  
HENDERSON, TEXAS  
75653-1340  
903/657-6522  
FAX# 903/657-2318