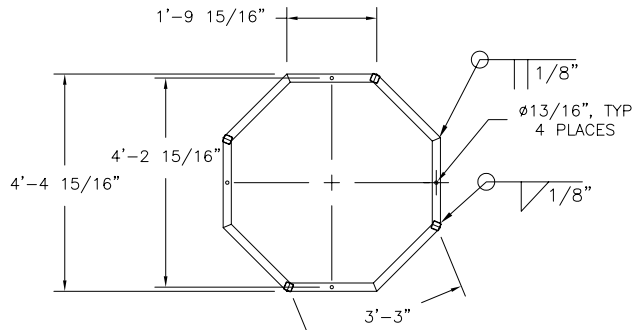
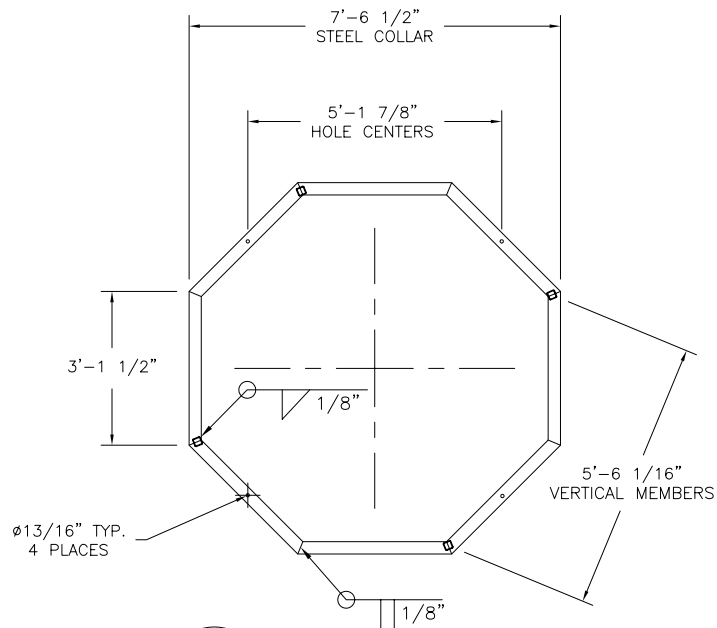


**NOTE:**

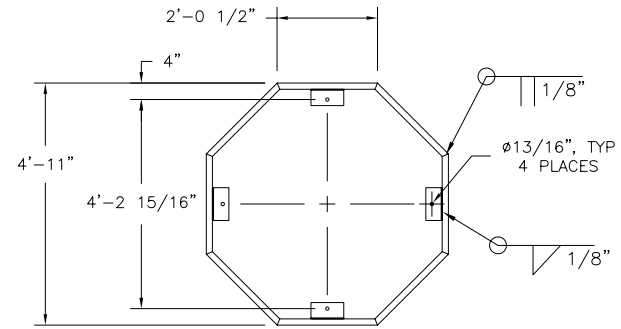
FRP SHELL AND CORE MATERIAL ARE NOT SHOWN ON THIS PAGE. ALL DIMENSIONS ARE FOR STEEL STRUCTURE ONLY.



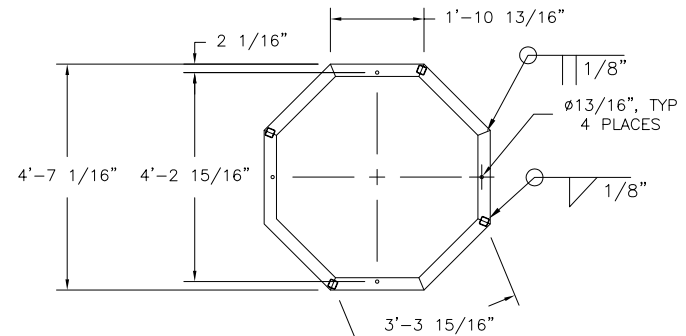
2 TOP OF CU-704  
S2



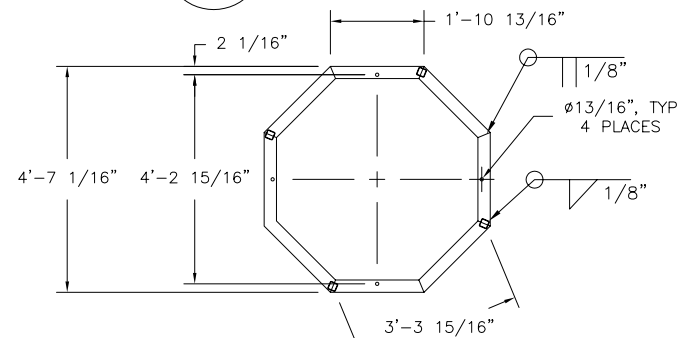
1 BASE OF CU-704  
S2  
PLAN VIEW



5 BASE OF SP-728  
S2  
PLAN VIEW



4 TOP OF CU-701  
S2



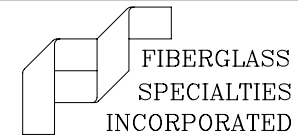
3 BASE OF CU-701  
S2  
PLAN VIEW

STRUCTURE

S2E

Sheet#	Drawing By: RLB	Date: 06-29-00
	Checked By:	Revisions 11-07-06 AJ
	File # ALL-STL\	
	DWG # ST1E2	Scale: 1/4"=1'

Project: STEEPLE UNIT #1  
SECTION DETAILS



P.O. BOX 1340  
HENDERSON, TX 75653-1340  
903/657-6522  
FAX# 903/657-2318