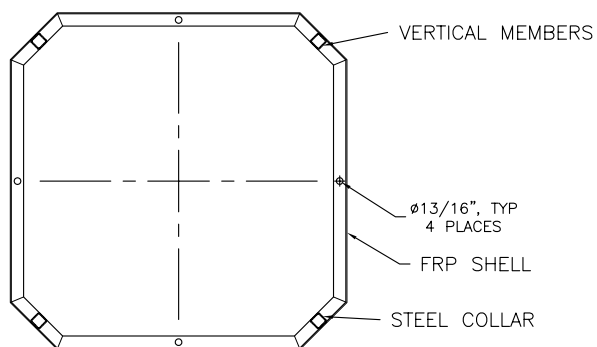
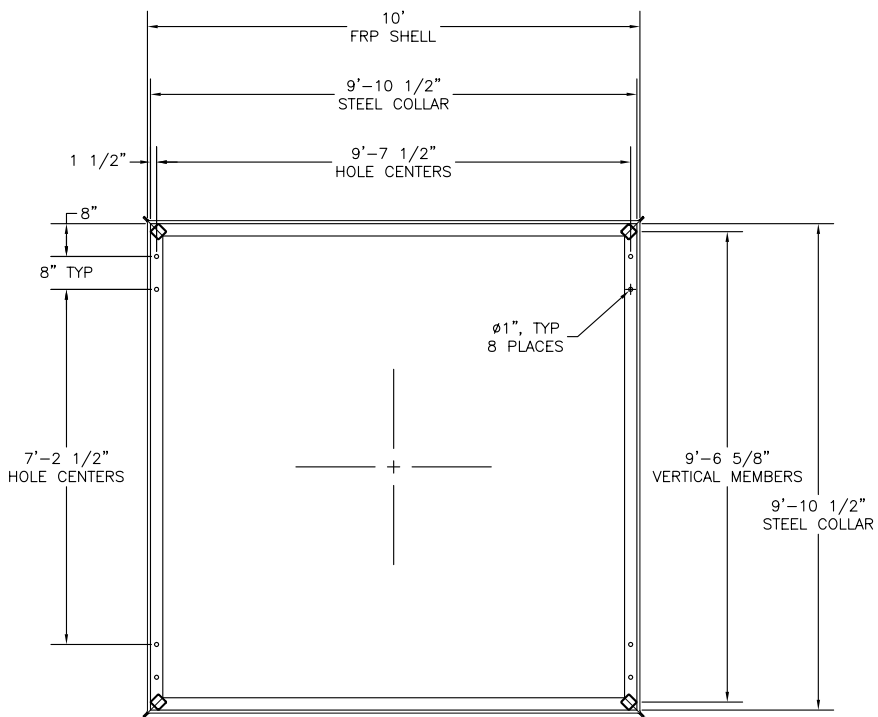


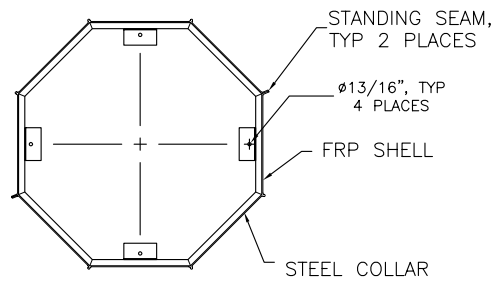
3 BASE OF CU-706
S2



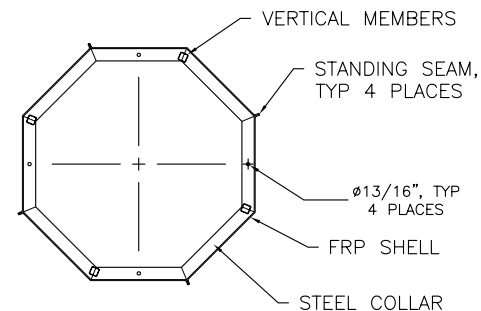
2 TOP OF CU-705
S2



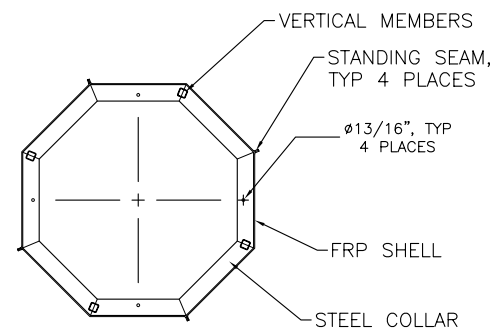
1 BASE OF CU-705
S2 PLAN VIEW



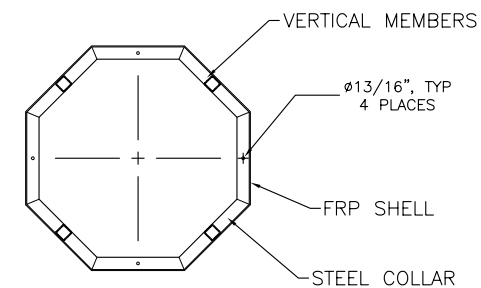
7 BASE OF SP-728
S2



6 TOP OF CU-701
S2



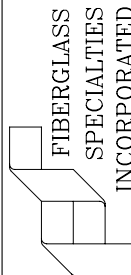
5 BASE OF CU-701
S2



4 TOP OF CU-706
S2

STANDING SEAM, TYP 4 PLACES

P.O. BOX 1340
HENDERSON, TX 75653-1340
903/657-6522
FAX# 903/657-2318



Project: STEEPLE UNIT #10
SECTION DETAILS

Date: 12-15-04

Revisions 06-20-07 AJ

Revisions 06-20-07 AJ

Drawing By: TDR

Checked By: ALL-STL

File #

DWG # ST10C2

Scale: N.T.S.

Sheet #

S2C

STRUCTURE