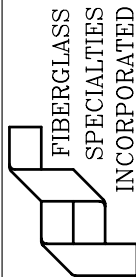


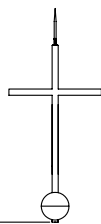
DESIGN PARAMETERS

The unit described in these drawings is engineered to adequately support the loads created by a wind velocity of 120 MPH at a height of 50' above ground using ASCE 7-02 exposure category "C".

P.O. BOX 1340
HENDERSON, TX 75653-1340
903/657-6522
FAX# 903/657-2318



OPTIONAL LIGHTNING PACKAGE AIR TERMINAL



OPTIONAL 4' SPIRE CROSS (ALSO AVAILABLE IN 2' AND 3' HEIGHTS)

OPTIONAL 9" DIAMETER BALL (ALSO AVAILABLE IN 6" DIAMETER)

ALL UNITS WERE ENGINEERED WITH A 4' CROSS AND 9"Ø BALL INSTALLED PER FIBERGLASS SPECIALTIES, INC. STANDARD MOUNTING PROCEDURES.

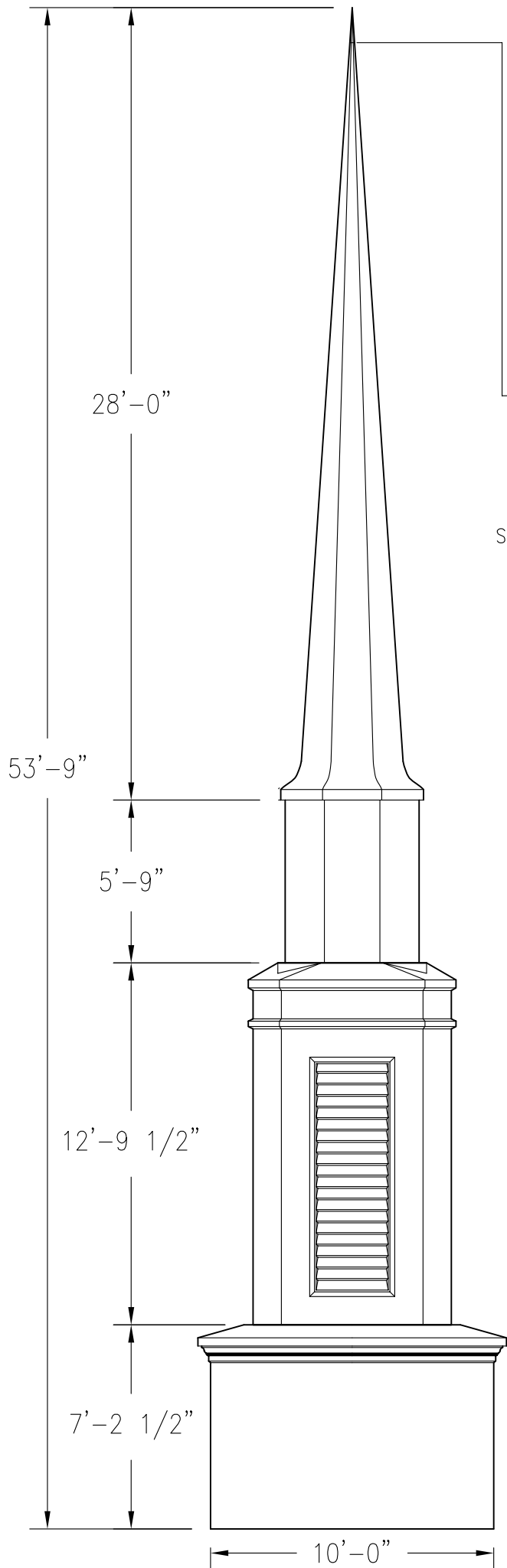
SPIRE UNIT #728

CUPOLA UNIT #701

CUPOLA UNIT #706 WITH FALSE LOUVERS (ALSO AVAILABLE WITH KRINKLGLAS WINDOWS OR VENTED LOUVERS)

CUPOLA UNIT #705

THESE DRAWINGS ARE THE PROPERTY OF FIBERGLASS SPECIALTIES INC. DIMENSIONS AND DETAILS ARE SUBJECT TO CHANGE WITHOUT NOTICE. ALL CUPOLA AND STEEPLE UNITS ARE FABRICATED USING MINIMAL STANDING SEAMS UNLESS OTHERWISE NOTED. ALL CUPOLA AND STEEPLE UNITS ARE DESIGNED TO BE ERECTED ON A COMPLETED ROOFING SYSTEM AND ARE NOT GUARANTEED TO BE LEAK PROOF.



Project: STEEPLE UNIT #10

Date: 12-15-04

Revisions AS-BUILT CU705 7/11/05 TDR

Drawing By: TDR

Checked By:

File # ALL-STL

DWG # ST10F

Scale: 3/16" = 1'

Sheet #

E1F

ELEVATION