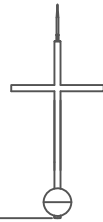


DESIGN PARAMETERS

The unit described in these drawings is engineered to adequately support the loads created by a wind velocity of 120 MPH at a height of 50' above ground using ASCE 7-95 exposure category "C".

P.O. BOX 1340
HENDERSON, TX 75653-1340
903/657-6522
FAX# 903/657-2318

FIBERGLASS
SPECIALTIES
INCORPORATED



OPTIONAL LIGHTNING
PACKAGE AIR TERMINAL

OPTIONAL 4' SPIRE CROSS
(ALSO AVAILABLE IN 2' AND 3' HEIGHTS)

OPTIONAL 9" DIAMETER BALL
(ALSO AVAILABLE IN 6" DIAMETER)

ALL UNITS WERE ENGINEERED WITH A 4' CROSS
AND 9"Ø BALL INSTALLED PER FIBERGLASS
SPECIALTIES, INC. STANDARD MOUNTING PROCEDURES.

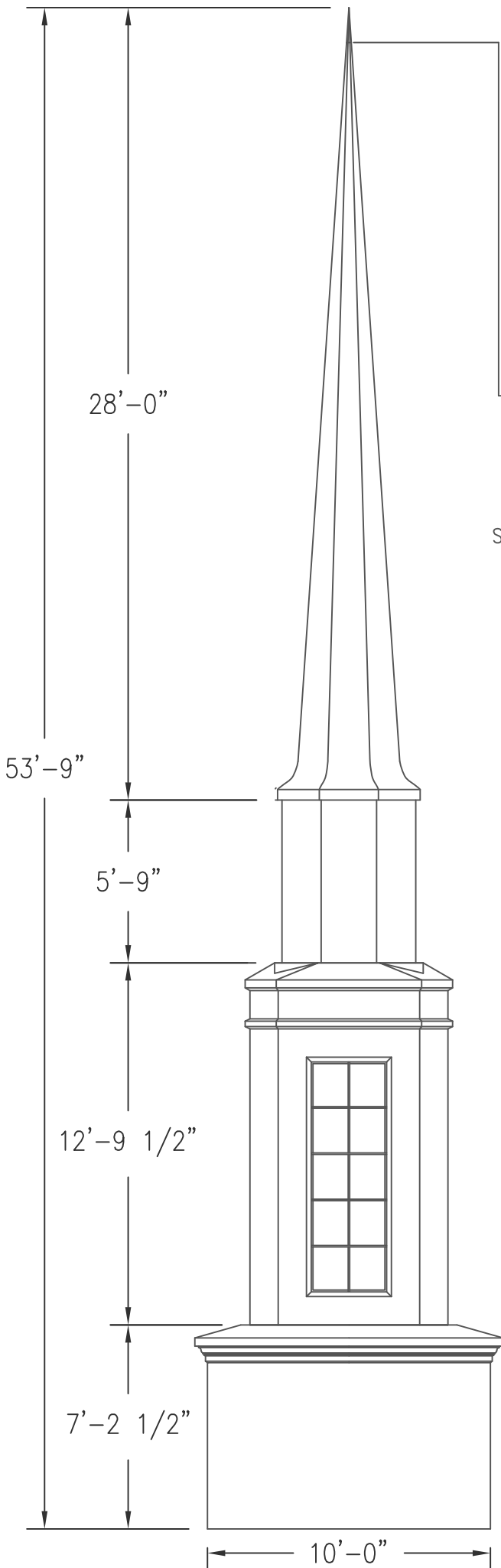
SPIRE UNIT #728

CUPOLA UNIT #701

CUPOLA UNIT #706 WITH
KRINKLGLAS WINDOWS
(ALSO AVAILABLE WITH VENTED OR
FALSE LOUVERS)

CUPOLA UNIT #705

THESE DRAWINGS ARE THE PROPERTY OF
FIBERGLASS SPECIALTIES INC. DIMENSIONS
AND DETAILS ARE SUBJECT TO CHANGE
WITHOUT NOTICE. ALL CUPOLA AND STEEPLE
UNITS ARE FABRICATED USING MINIMAL
STANDING SEAMS UNLESS OTHERWISE NOTED.
ALL CUPOLA AND STEEPLE UNITS ARE DE-
SIGNATED TO BE ERCTED ON A COMPLETED
ROOFING SYSTEM AND ARE NOT GUAR-
ANTEED TO BE LEAK PROOF.



Project:

STEEPLE UNIT #10

Date: 12-15-04

Revisions AS-BUILT C/705
7/11/05 TDR

Scale: 3/16" = 1'

Drawing By: TDR

Checked By:

File # ALL-STL

DWG # ST10F

Sheet #

E1F

ELEVATION