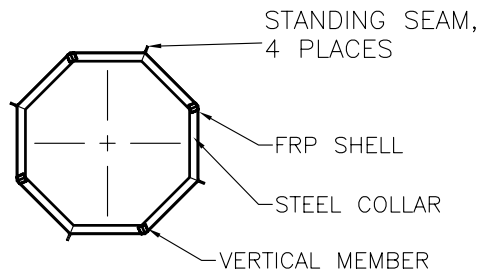
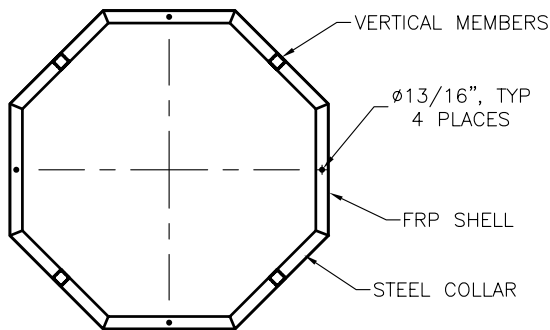


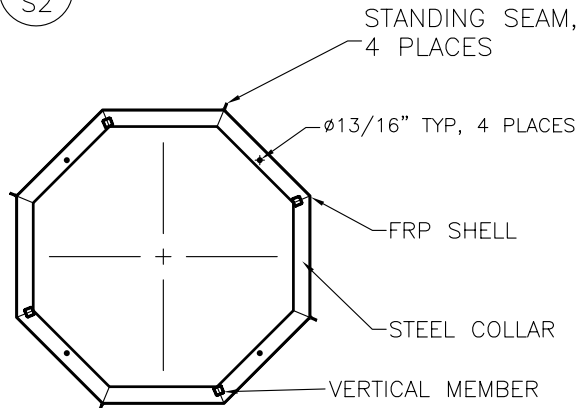
3 BASE OF CU-1050
S2



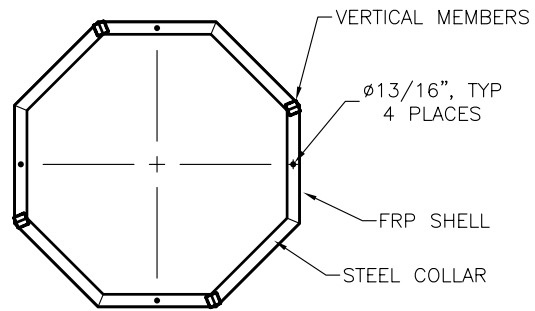
6 TOP OF SP-1032
S2



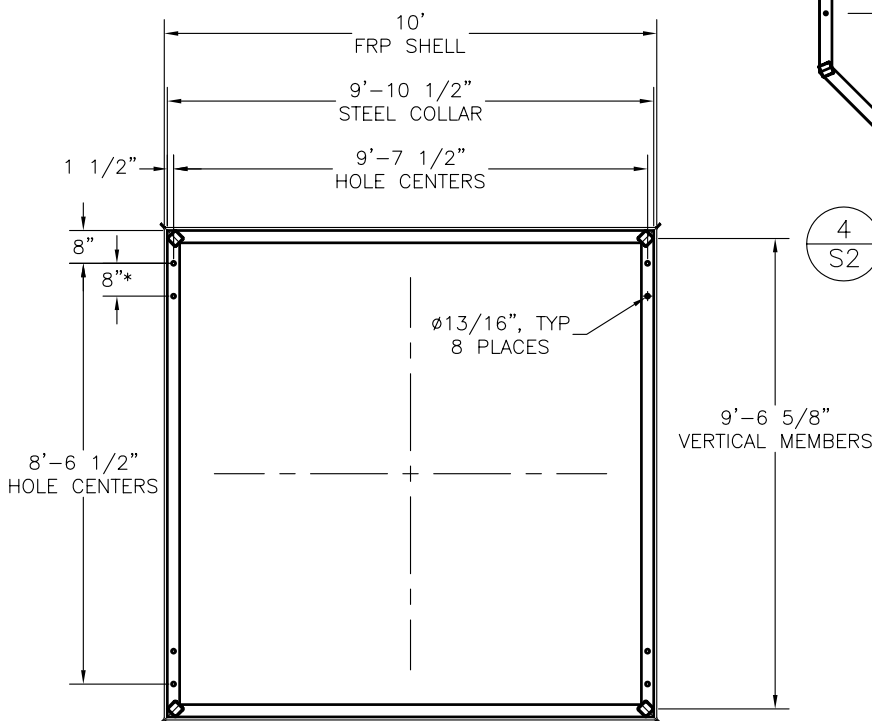
2 TOP OF CU-705
S2



5 BASE OF SP-1032
S2



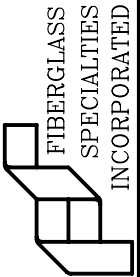
4 TOP OF CU-1050
S2



1 BASE OF CU-705
S2

*NOTE:
USE 8'-6 1/2" HOLE PATTERN
FOR BOLTING UNIT TO STRUCTURE
ONLY FOUR (4) BOLTS REQ'D

P.O. BOX 1340
HENDERSON, TX 75653-1340
903/657-6522
FAX# 903/657-2318



Project: STEEPLE UNIT #11
SECTION DETAILS

Date: 07-17-00

Revisions 03-21-07 AJ

Drawing By: RLB

Checked By: ALL-STL

File #

DWG #

ST11C2

Scale: 1/4"=1'

Sheet #

S2C

STRUCTURE