

NOTES:

1. THESE DRAWINGS ARE THE PROPERTY OF FIBERGLASS SPECIALTIES INC. AND MAY NOT BE REPRODUCED WITHOUT EXPRESS WRITTEN PERMISSION FROM FIBERGLASS SPECIALTIES, INC.
2. DIMENSIONS AND DETAILS ARE SUBJECT TO CHANGE WITHOUT NOTICE.
3. ALL CUPOLA AND STEEPLE UNITS ARE FABRICATED USING MINIMAL STANDING SEAMS UNLESS OTHERWISE NOTED. SEE SECTION VIEWS FOR APPROXIMATE LOCATION OF SEAMS.
4. ALL CUPOLA AND STEEPLE UNITS ARE DESIGNED TO BE ERECTED ON A COMPLETED ROOFING SYSTEM.
5. ALTHOUGH OUR CUPOLAS AND STEEPLES ARE WATER RESISTANT WE DO NOT GUARANTEE THEM TO BE LEAK PROOF.
6. FIBERGLASS SPECIALTIES INC. RECOMMENDS THAT THE INSTALLER USE A-325 BOLTS WHEN CONNECTING TO THE ROOF STRUCTURE BELOW.
7. ACTUAL ANCHOR BOLT LOCATIONS MAY VARY. THE INSTALLER SHOULD NOT DRILL HOLES IN ROOF UNTIL UNIT IS ON SITE.
8. DUE TO MANUFACTURING TOLERANCES AND VARIATIONS IN SITE CONDITIONS, METAL SHIMS MAY BE REQUIRED BETWEEN ADJACENT COLLARS.

DESIGN PARAMETERS

The unit described in these drawings is engineered to adequately support the loads created by a wind velocity of 120 MPH at a height of 50' above ground using ASCE 7-95 exposure category "C". An additional 2' in height was added to the base during these calculations to account for variations in roof pitch, etc. For complete construction details please reference drawing number S1E.

P.O. BOX 1340
HENDERSON, TX 75653-1340
903/657-6522
FAX# 903/657-2318

FIBERGLASS
SPECIALTIES
INCORPORATED

STEEPLE UNIT #12
CROSS SECTION SHOWING
INTERNAL STRUCTURE

Project:

Date: 10-05-00

Revisions 02-22-06 AGT

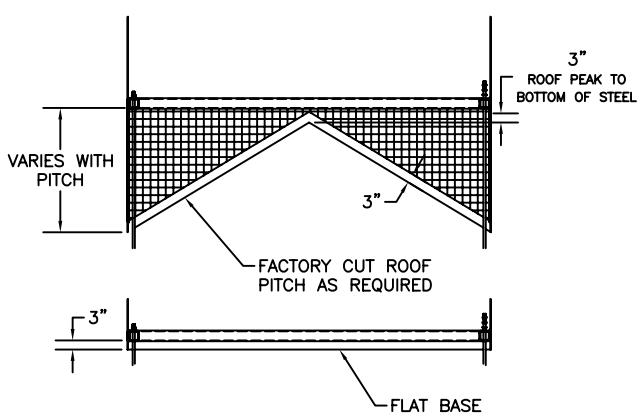
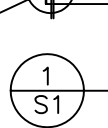
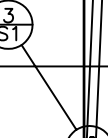
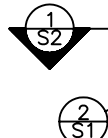
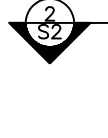
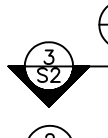
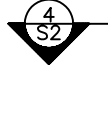
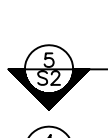
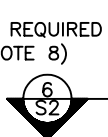
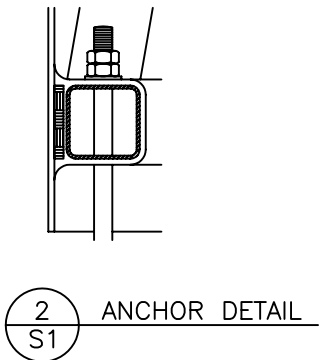
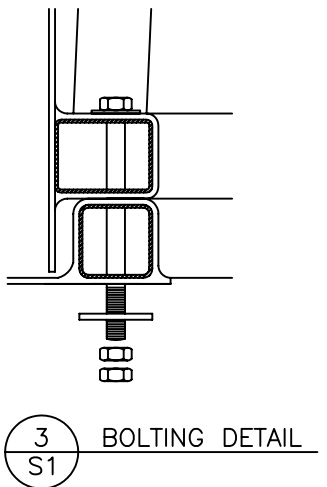
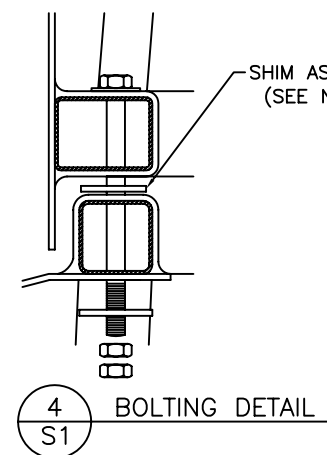
Scale: 3/16" = 1'

Drawing By: RLB

Checked By: ALL-STL

File # ST12C1

Sheet #
S1C
STRUCTURE



5 BASE DETAILS
S1

- CONTINUOUS COLLAR OF SQUARE STEEL TUBING
- VERTICAL SUPPORTS OF SQUARE STEEL TUBING
- 4 EACH 5/8" UNC x 9" A-325 ANCHOR BOLTS, FLAT WASHERS, AND DOUBLED HEAVY HEX NUTS BY FSI.
- CONTINUOUS COLLAR OF RECTANGULAR STEEL TUBING
- CONTINUOUS COLLAR OF SQUARE STEEL TUBING
- VERTICAL SUPPORT OF SQUARE STEEL TUBING
- 4 EACH 5/8" UNC x 9" A-325 ANCHOR BOLTS, FLAT WASHERS, AND DOUBLED HEAVY HEX NUTS BY FSI.
- CONTINUOUS COLLAR OF RECTANGULAR STEEL TUBING
- CONTINUOUS COLLAR OF SQUARE STEEL TUBING
- VERTICAL SUPPORT OF SQUARE STEEL TUBING
- CONTINUOUS COLLAR OF RECTANGULAR STEEL TUBING
- CORE MATERIAL
- 4 EACH 3/4" UNC A-325 THREADED ANCHOR RODS AND DOUBLED HEAVY HEX NUTS (BY OTHERS)