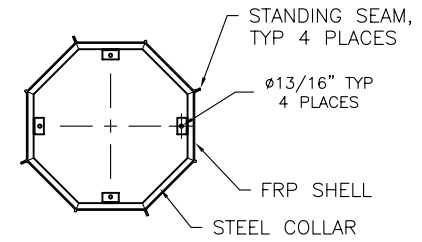
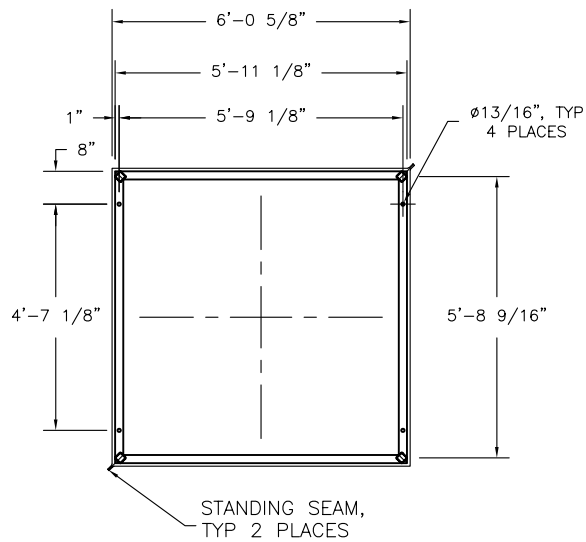


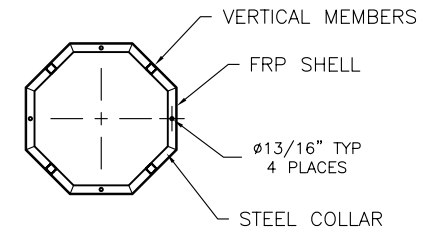
2 TOP OF CU-607
S2



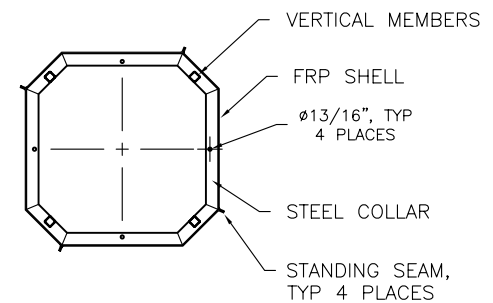
5 BASE OF SP-619
S2
PLAN VIEW



1 BASE OF CU-607
S2
PLAN VIEW



4 TOP OF CU-605
S2



3 BASE OF CU-605
S2
PLAN VIEW

STRUCTURE

S2C

Sheet#

Drawing By:	RLB
Checked By:	
File #	ALL-STL\
DWG #	ST13C2

Date:	12-06-00
Revisions	08-09-07 AJ
Scale:	1/4"=1'

Project:
STEEPLE UNIT #13
SECTION DETAILS



FIBERGLASS
SPECIALTIES
INCORPORATED

P.O. BOX 1340
HENDERSON, TX 75653-1340
903/657-6522
FAX# 903/657-2318