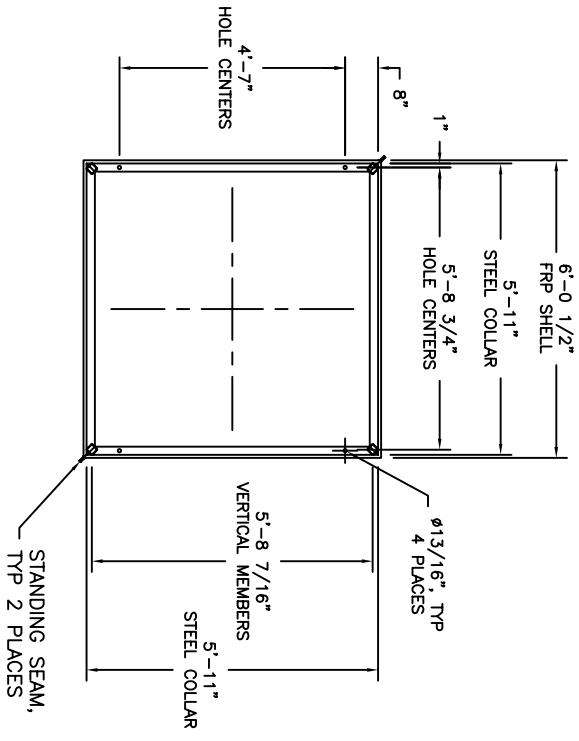
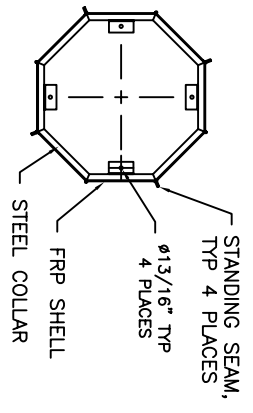


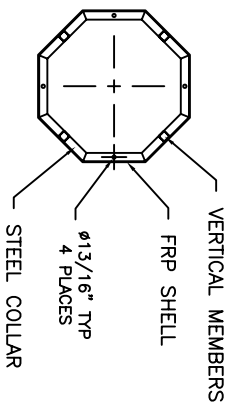
2 TOP OF CU-607  
S2



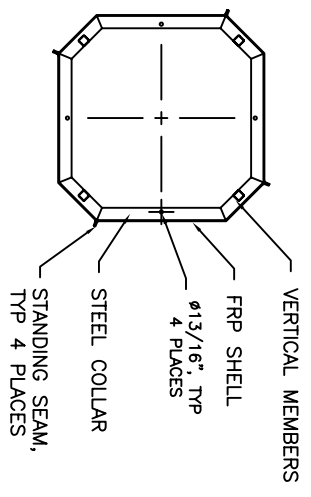
1 BASE OF CU-607  
S2  
PLAN VIEW



5 BASE OF SP-619  
S2  
PLAN VIEW



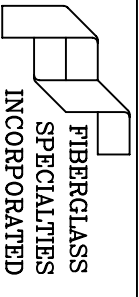
4 TOP OF CU-605  
S2



3 BASE OF CU-605  
S2  
PLAN VIEW

STRUCTURE	S2C	Drawing By: RLB	Date: 12-06-00
Sheet #		Checked By:	Revisions 12-21-05 AGT
DWG #	ST14C2	File # ALL-STL	Scale: 1/4"=1'

Project: STEEPLE UNIT #14  
SECTION DETAILS



P.O. BOX 1340  
HENDERSON, TX 75653-1340  
903/657-6522  
FAX# 903/657-2318