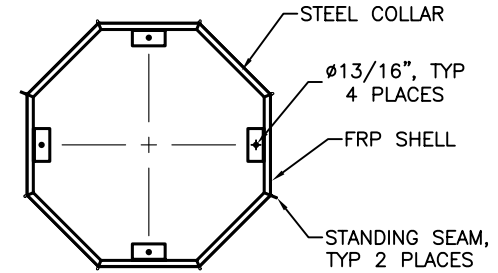
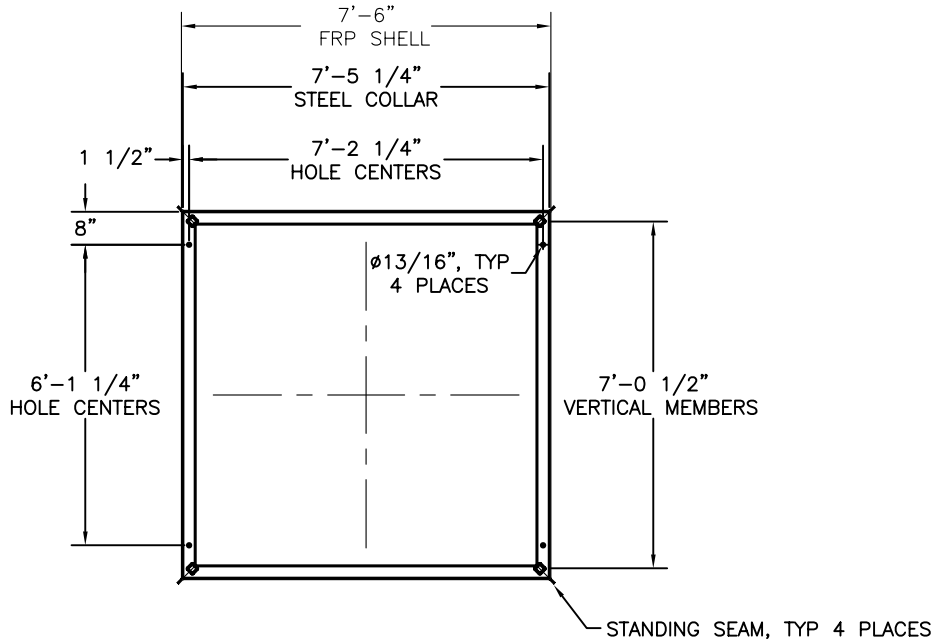


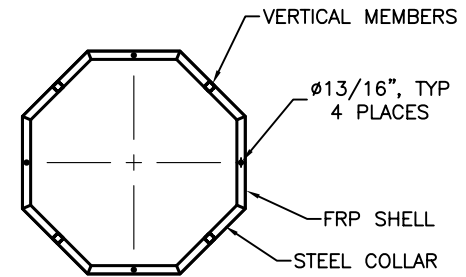
2 TOP OF CU-703
 S2



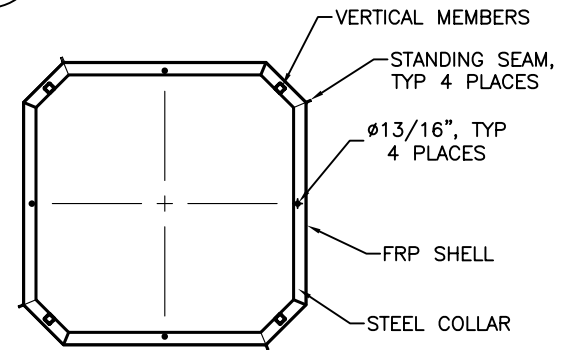
5 BASE OF SP-728
 S2



1 BASE OF CU-703
 S2



4 TOP OF CU-608
 S2



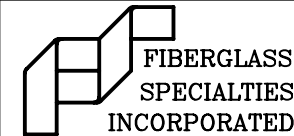
3 BASE OF CU-608
 S2

STRUCTURE

S2C

Sheet#	Drawing By: RLB	Date: 08-17-00
	Checked By:	Revisions 04-19-07 AJ
	File # ALL-STL\	
	DWG # ST15C2	Scale: 1/4"=1'

Project: STEEPLE UNIT #15
 SECTION DETAILS



P.O. BOX 1340
 HENDERSON, TX 75653-1340
 903/657-6522
 FAX# 903/657-2318