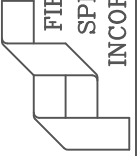


**DESIGN PARAMETERS**

The unit described in these drawings is engineered to adequately support the loads created by a wind velocity of 120 MPH at a height of 50' above ground using ASCE 7-02 exposure category "C".

P.O. BOX 1340  
HENDERSON, TX 75653-1340  
903/657-6522  
FAX# 903/657-2318

FIBERGLASS  
SPECIALTIES  
INCORPORATED



STEEPLE UNIT #24

Project:

Date: 06-01-00

Revisions 07-24-07 AJ

Scale: 3/8" = 1'

Drawing By: RLB

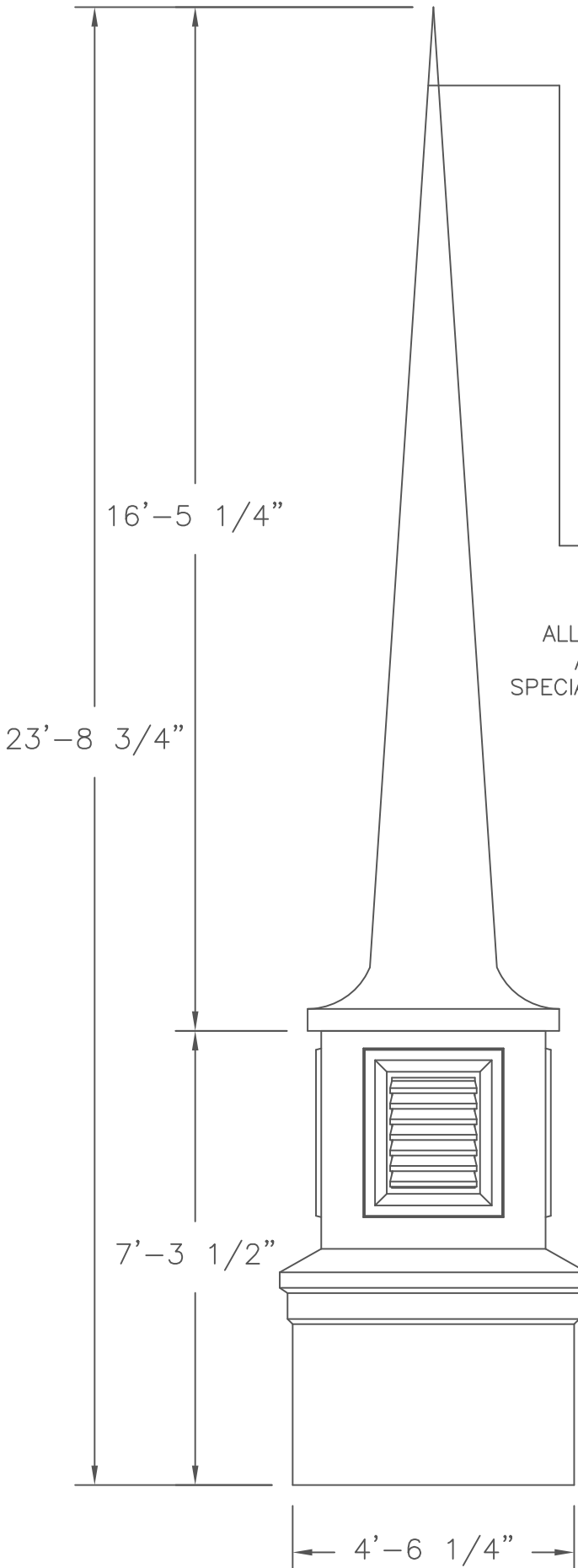
Checked By: ALL-STL

File # ST24F

Sheet #

E1F

ELEVATION



OPTIONAL LIGHTNING  
PACKAGE AIR TERMINAL



OPTIONAL 4' SPIRE CROSS  
(ALSO AVAILABLE IN 2' AND 3' HEIGHTS).

OPTIONAL 9" DIAMETER BALL  
(ALSO AVAILABLE IN 6" DIAMETER)

ALL UNITS WERE ENGINEERED WITH A 4' CROSS  
AND 9"Ø BALL INSTALLED PER FIBERGLASS  
SPECIALTIES, INC. STANDARD MOUNTING PROCEDURES.

SPIRE UNIT #817

CUPOLA UNIT #802 WITH  
VENTED LOUVERS  
(ALSO AVAILABLE WITH FALSE LOUVERS  
OR KRINKLGLAS WINDOWS)

1 ELEVATION  
E1

THESE DRAWINGS ARE THE PROPERTY OF FIBERGLASS SPECIALTIES INC. DIMENSIONS AND DETAILS ARE SUBJECT TO CHANGE WITHOUT NOTICE. ALL CUPOLA AND STEEPLE UNITS ARE FABRICATED USING MINIMAL STANDING SEAMS UNLESS OTHERWISE NOTED. ALL CUPOLA AND STEEPLE UNITS ARE DESIGNED TO BE ERECTED ON A COMPLETED ROOFING SYSTEM AND ARE NOT GUARANTEED TO BE LEAK PROOF.