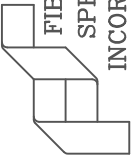


**DESIGN PARAMETERS**

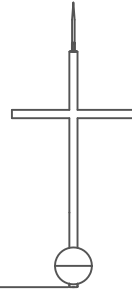
The unit described in these drawings is engineered to adequately support the loads created by a wind velocity of 120 MPH at a height of 50' above ground using ASCE 7-95 exposure category "C".

P.O. BOX 1340  
HENDERSON, TX 75653-1340  
903/657-6522  
FAX# 903/657-2318

FIBERGLASS  
SPECIALTIES  
INCORPORATED



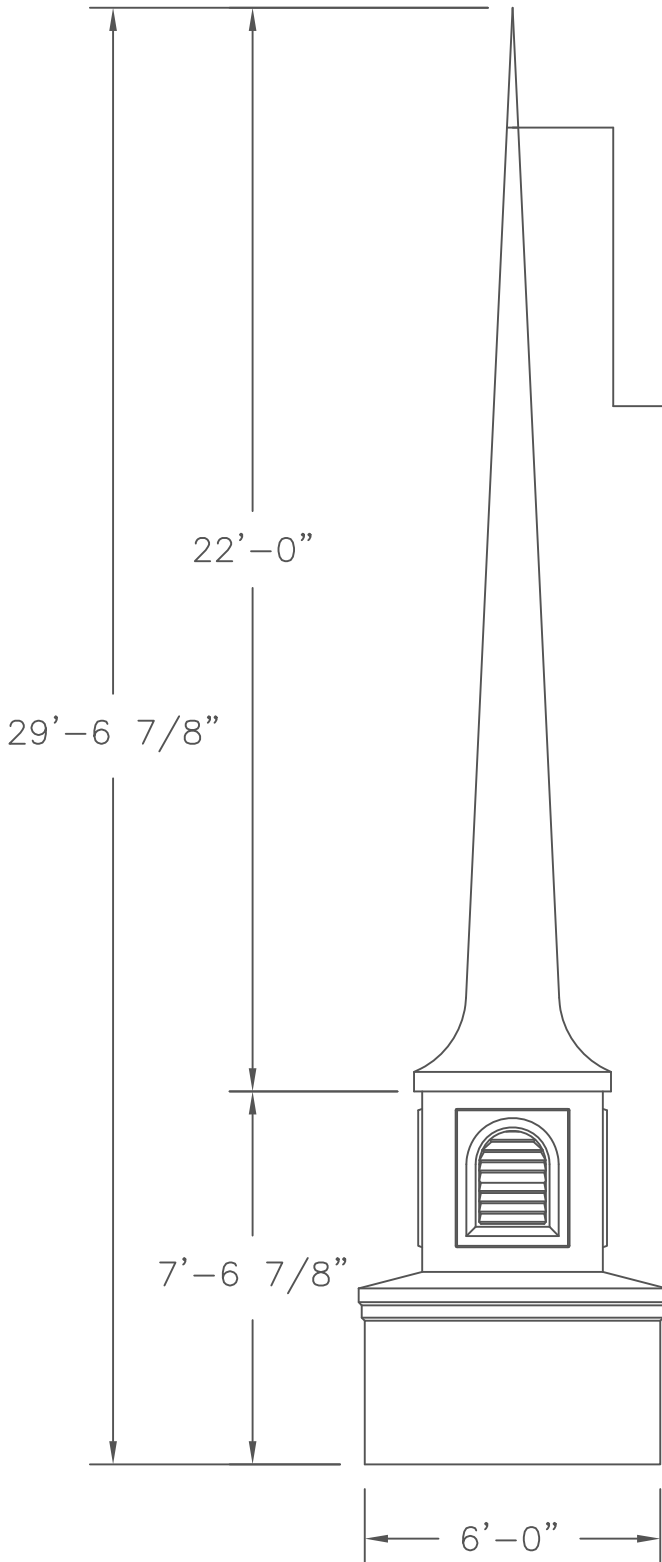
OPTIONAL LIGHTNING  
PACKAGE AIR TERMINAL



OPTIONAL 4' SPIRE CROSS  
(ALSO AVAILABLE IN 2' AND 3' HEIGHTS).

OPTIONAL 9" DIAMETER BALL  
(ALSO AVAILABLE IN 6" DIAMETER)

ALL UNITS WERE ENGINEERED WITH A 4' CROSS  
AND 9"Ø BALL INSTALLED PER FIBERGLASS  
SPECIALTIES, INC. STANDARD MOUNTING PROCEDURES.



SPIRE UNIT #822

CUPOLA UNIT #803 WITH  
ROUNDTOP VENTED LOUVERS  
(ALSO AVAILABLE WITH KRINKGLAS WINDOWS)

① ELEVATION

Project:

STEEPLE UNIT #25

Date: 10-27-00

Revisions 08-14-07 AJ

Scale: 1/4" = 1'

Drawing By: RLB

Checked By: ALL-STL

DWG # SU25F

Sheet #

E1F  
ELEVATION

THESE DRAWINGS ARE THE PROPERTY OF FIBERGLASS SPECIALTIES INC. DIMENSIONS AND DETAILS ARE SUBJECT TO CHANGE WITHOUT NOTICE. ALL CUPOLA AND STEEPLE UNITS ARE FABRICATED USING MINIMAL STANDING SEAMS UNLESS OTHERWISE NOTED. ALL CUPOLA AND STEEPLE UNITS ARE DESIGNED TO BE ERECTED ON A COMPLETED ROOFING SYSTEM AND ARE NOT GUARANTEED TO BE LEAK PROOF.