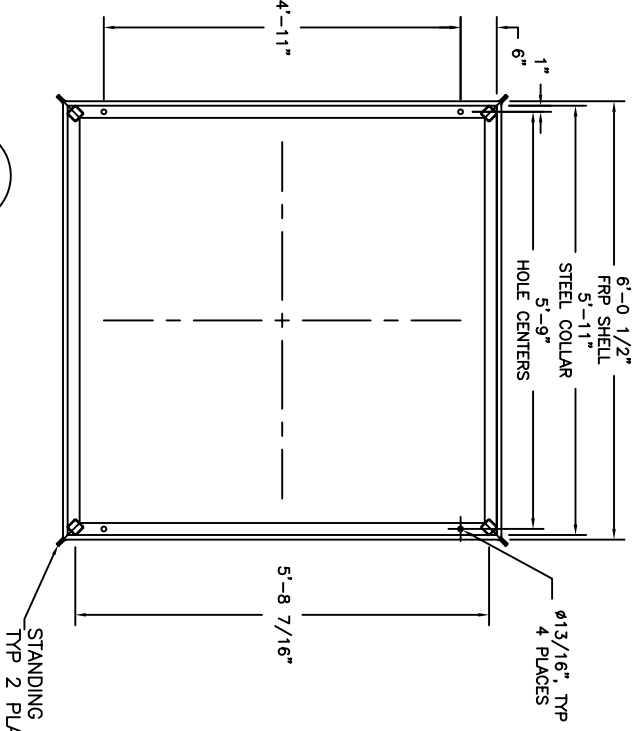
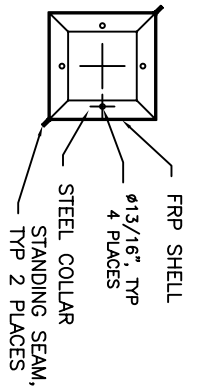


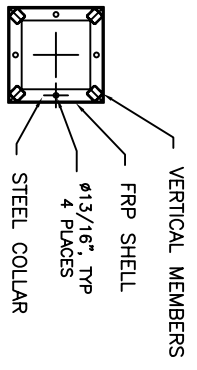
2 TOP OF CU-607
S2



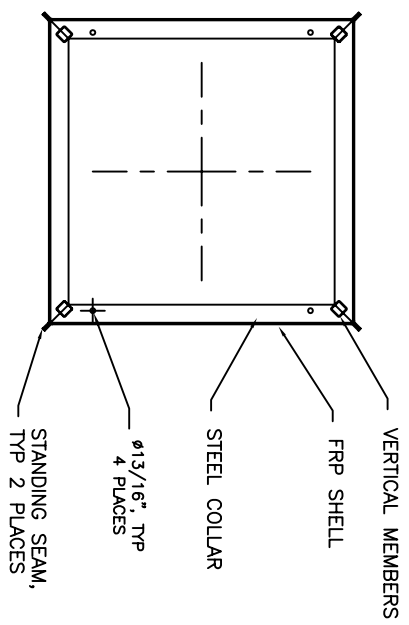
1 BASE OF CU-607
S2
PLAN VIEW



5 BASE OF SP-114
S2
PLAN VIEW



4 TOP OF CU-405
S2



3 BASE OF CU-405
S2
PLAN VIEW

STRUCTURE		S2C		Project: STEEPLE UNIT #27 SECTION DETAILS		FIBERGLASS SPECIALTIES INCORPORATED		P.O. BOX 1340 HENDERSON, TX 75653-1340 903/657-6522 FAX# 903/657-2318	
Sheet #	Drawing By: RLB	Date: 04-09-03	File #	Checked By: ALL-STL	Revisions 02-20-06 AGT	FIBERGLASS SPECIALTIES INCORPORATED		P.O. BOX 1340 HENDERSON, TX 75653-1340 903/657-6522 FAX# 903/657-2318	
DWG #	ST27C2	Scale: 3/8"=1'				FIBERGLASS SPECIALTIES INCORPORATED		P.O. BOX 1340 HENDERSON, TX 75653-1340 903/657-6522 FAX# 903/657-2318	