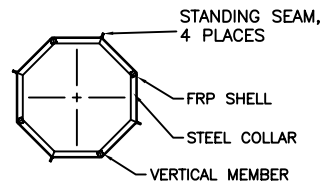
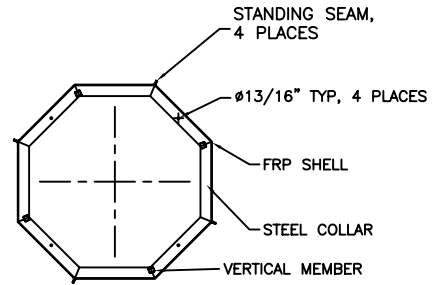


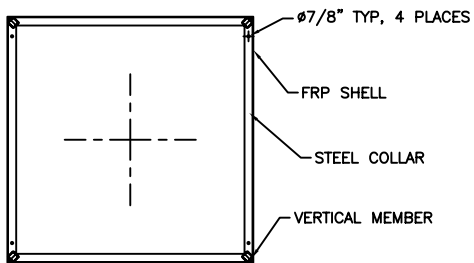
3
 S2
 BASE OF CU-208



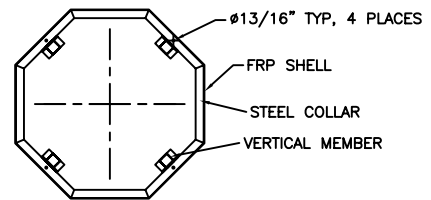
6
 S2
 TOP OF SP-1032



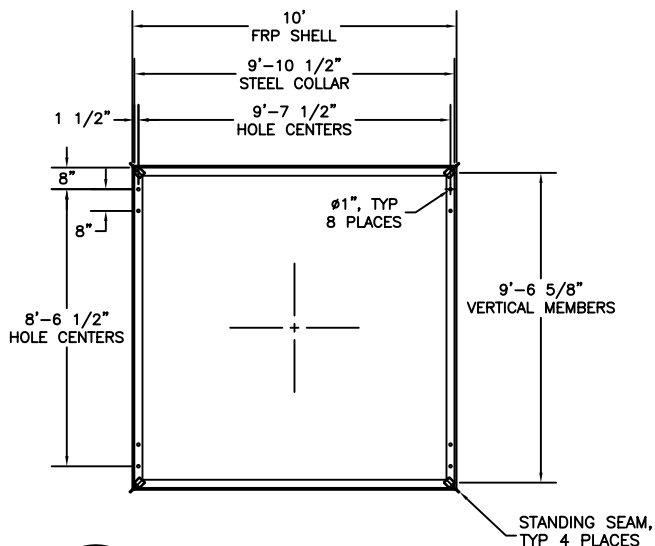
5
 S2
 BASE OF SP-1032



2
 S2
 TOP OF CU-705



4
 S2
 TOP OF CU-208



1
 S2
 BASE OF CU-705
 PLAN VIEW