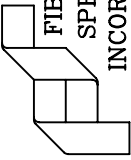


P.O. BOX 1340
 HENDERSON, TX 75653-1340
 903/657-6522
 FAX# 903/657-2318

FIBERGLASS
 SPECIALTIES
 INCORPORATED



Project: STEEPLE UNIT #35

Date: 05-17-04

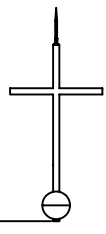
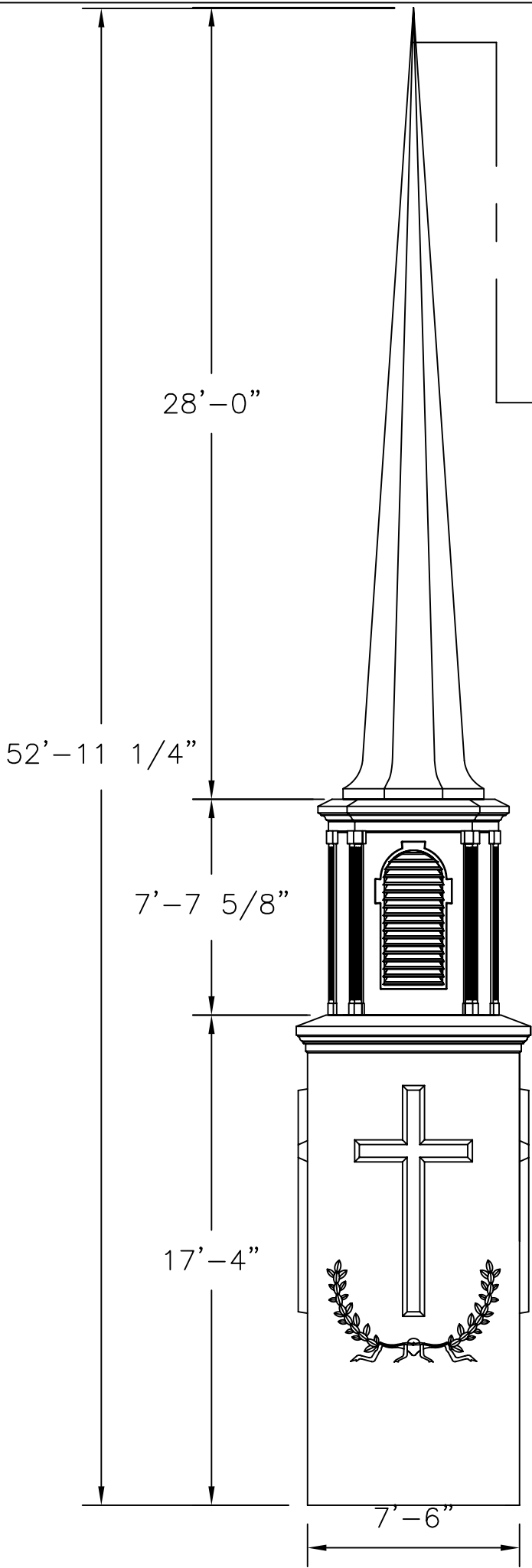
Revisions

File # ALL-STL

DWG # ST35F

Sheet #

E1F
 ELEVATION



OPTIONAL LIGHTNING
 PROTECTION AIR TERMINAL

OPTIONAL 4' SPIRE CROSS
 (ALSO AVAILABLE IN 2' AND 3' HEIGHTS).

OPTIONAL 9" DIAMETER BALL
 (ALSO AVAILABLE IN 6" DIAMETER)

ALL UNITS WERE ENGINEERED WITH A 4' CROSS
 AND 9"Ø BALL INSTALLED PER FIBERGLASS
 SPECIALTIES, INC. STANDARD MOUNTING PROCEDURES.

SPIRE UNIT #728

CUPOLA UNIT #608C
 WITH VENTED LOUVERS
 (ALSO AVAILABLE WITH KRINKLGLAS WINDOWS)

CUPOLA UNIT #409
 (ALSO AVAILABLE WITHOUT WREATH)

THESE DRAWINGS ARE THE PROPERTY OF
 FIBERGLASS SPECIALTIES INC. DIMENSIONS
 AND DETAILS ARE SUBJECT TO CHANGE
 WITHOUT NOTICE. ALL CUPOLA AND STEEPLE
 UNITS ARE FABRICATED USING MINIMAL
 STANDING SEAMS UNLESS OTHERWISE NOTED.
 ALL CUPOLA AND STEEPLE UNITS ARE DE-
 SIGN TO BE ERCTED ON A COMPLETED
 ROOFING SYSTEM AND ARE NOT GUAR-
 ANTEED TO BE LEAK PROOF.