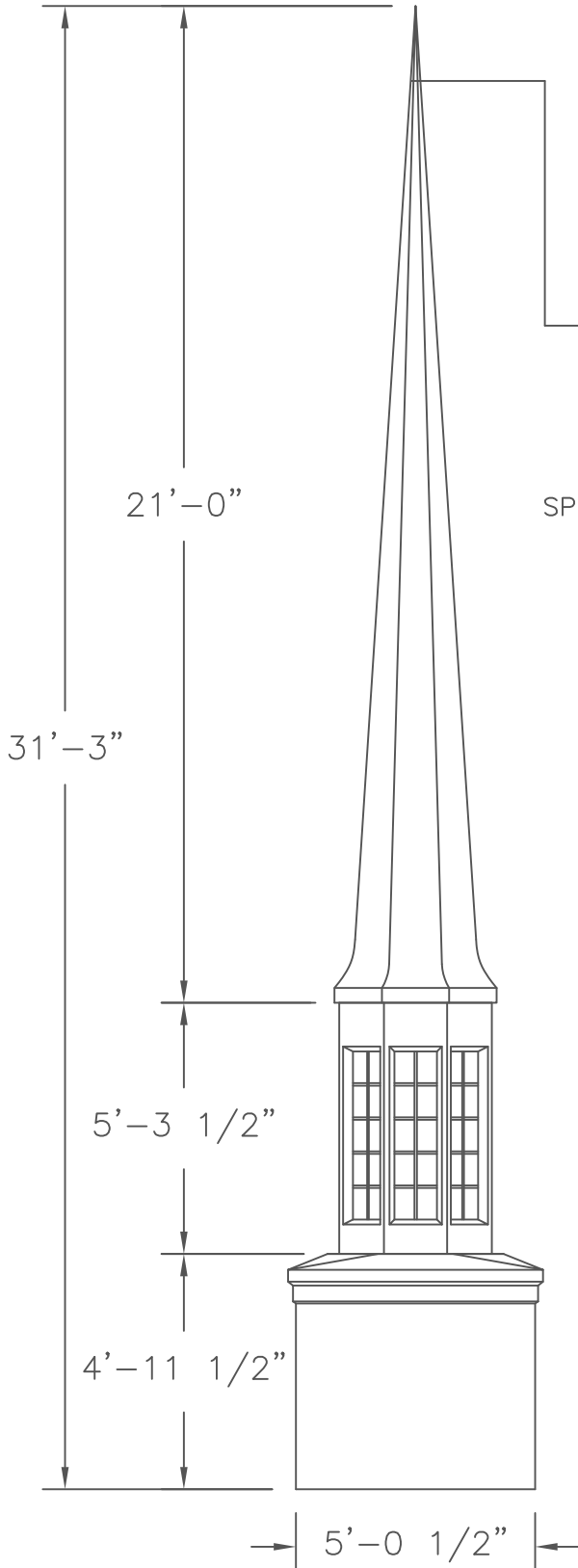


**DESIGN PARAMETERS**

The unit described in these drawings is engineered to adequately support the loads created by a wind velocity of 120 MPH at a height of 50' above ground using ASCE 7-95 exposure category "C". An additional 2' in height was added to the base during these calculations to account for variations in roof pitch, etc.

P.O. BOX 1340  
HENDERSON, TX 75653-1340  
903/657-6522  
FAX# 903/657-2318

FIBERGLASS  
SPECIALTIES  
INCORPORATED



OPTIONAL LIGHTNING  
PROTECTION AIR TERMINAL

OPTIONAL 4' SPIRE CROSS  
(ALSO AVAILABLE IN 2' AND 3' HEIGHTS).

OPTIONAL 9" DIAMETER BALL  
(ALSO AVAILABLE IN 6" DIAMETER)

ALL UNITS WERE ENGINEERED WITH A 4' CROSS  
AND 9"Ø BALL INSTALLED PER FIBERGLASS  
SPECIALTIES, INC. STANDARD MOUNTING PROCEDURES.

SPIRE UNIT #621

CUPOLA UNIT #603 WITH  
SQUARE TOP KRINKLGLAS WINDOWS  
(ALSO AVAILABLE WITH VENTED LOUVERS)

BASE CUPOLA UNIT #604

① ELEVATION  
E1

THESE DRAWINGS ARE THE PROPERTY OF  
FIBERGLASS SPECIALTIES INC. DIMENSIONS  
AND DETAILS ARE SUBJECT TO CHANGE  
WITHOUT NOTICE. ALL CUPOLA AND STEEPLE  
UNITS ARE FABRICATED USING MINIMAL  
STANDING SEAMS UNLESS OTHERWISE NOTED.  
ALL CUPOLA AND STEEPLE UNITS ARE DE-  
SIGNATED TO BE ERECTED ON A COMPLETED  
ROOFING SYSTEM AND ARE NOT GUAR-  
ANTEED TO BE LEAK PROOF.

Project: STEEPLE UNIT #4

Date: 10-02-00  
Revisions 12-08-05 AGT  
Scale: 1/4" = 1'

Drawing By: RLB  
Checked By: ALL-STL  
File # ST4F  
DWG #

Sheet #  
E1F  
ELEVATION