

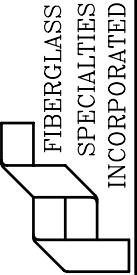
NOTES:

1. THESE DRAWINGS ARE THE PROPERTY OF FIBERGLASS SPECIALTIES INC. AND MAY NOT BE REPRODUCED WITHOUT EXPRESS WRITTEN PERMISSION FROM FIBERGLASS SPECIALTIES, INC.
2. DIMENSIONS AND DETAILS ARE SUBJECT TO CHANGE WITHOUT NOTICE.
3. ALL CUPOLA AND STEEPLE UNITS ARE FABRICATED USING MINIMAL STANDING SEAMS UNLESS OTHERWISE NOTED. SEE SECTION VIEWS FOR APPROXIMATE LOCATION OF SEAMS.
4. ALL CUPOLA AND STEEPLE UNITS ARE DESIGNED TO BE ERECTED ON A COMPLETED ROOFING SYSTEM.
5. ALTHOUGH OUR CUPOLAS AND STEEPLES ARE WATER RESISTANT WE DO NOT GUARANTEE THEM TO BE LEAK PROOF.
6. FIBERGLASS SPECIALTIES INC. RECOMMENDS THAT THE INSTALLER USE A-325 BOLTS WHEN CONNECTING TO THE ROOF STRUCTURE BELOW.
7. ACTUAL ANCHOR BOLT LOCATIONS MAY VARY. THE INSTALLER SHOULD NOT DRILL HOLES IN ROOF UNTIL UNIT IS ON SITE.
8. DUE TO MANUFACTURING TOLERANCES AND VARIATIONS IN SITE CONDITIONS, METAL SHIMS MAY BE REQUIRED BETWEEN ADJACENT COLLARS.

DESIGN PARAMETERS

The unit described in these drawings is engineered to adequately support the loads created by a wind velocity of 120 MPH at a height of 50' above ground using ASCE 7-02 exposure category "C".

P.O. BOX 1340
HENDERSON, TX 75653-1340
903/657-6522
FAX# 903/657-2318



STEEPLE UNIT #SB19
SECTION VIEWS SHOWING
INTERNAL STRUCTURE

Project:

Date: 05-30-00

Revisions 08-24-07 AJ

Scale: 1/2"=1'

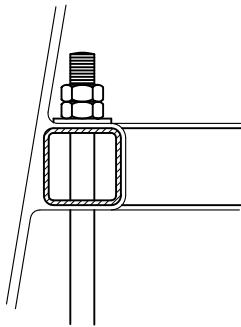
Drawing By: RLB

Checked By: ALL-STL

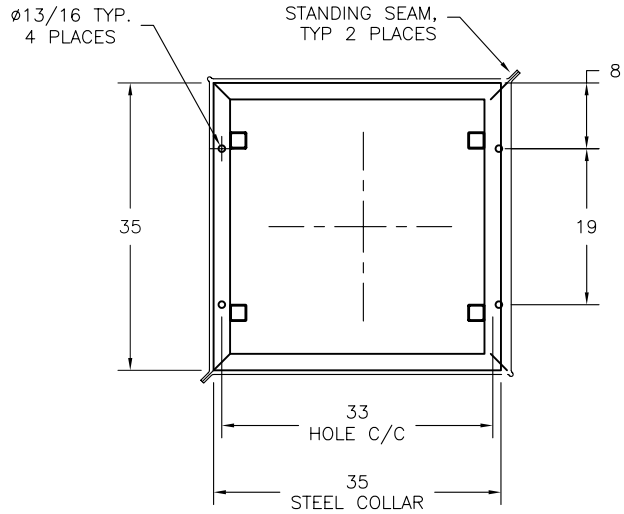
File # SB19C

Sheet#

S1C
STRUCTURE

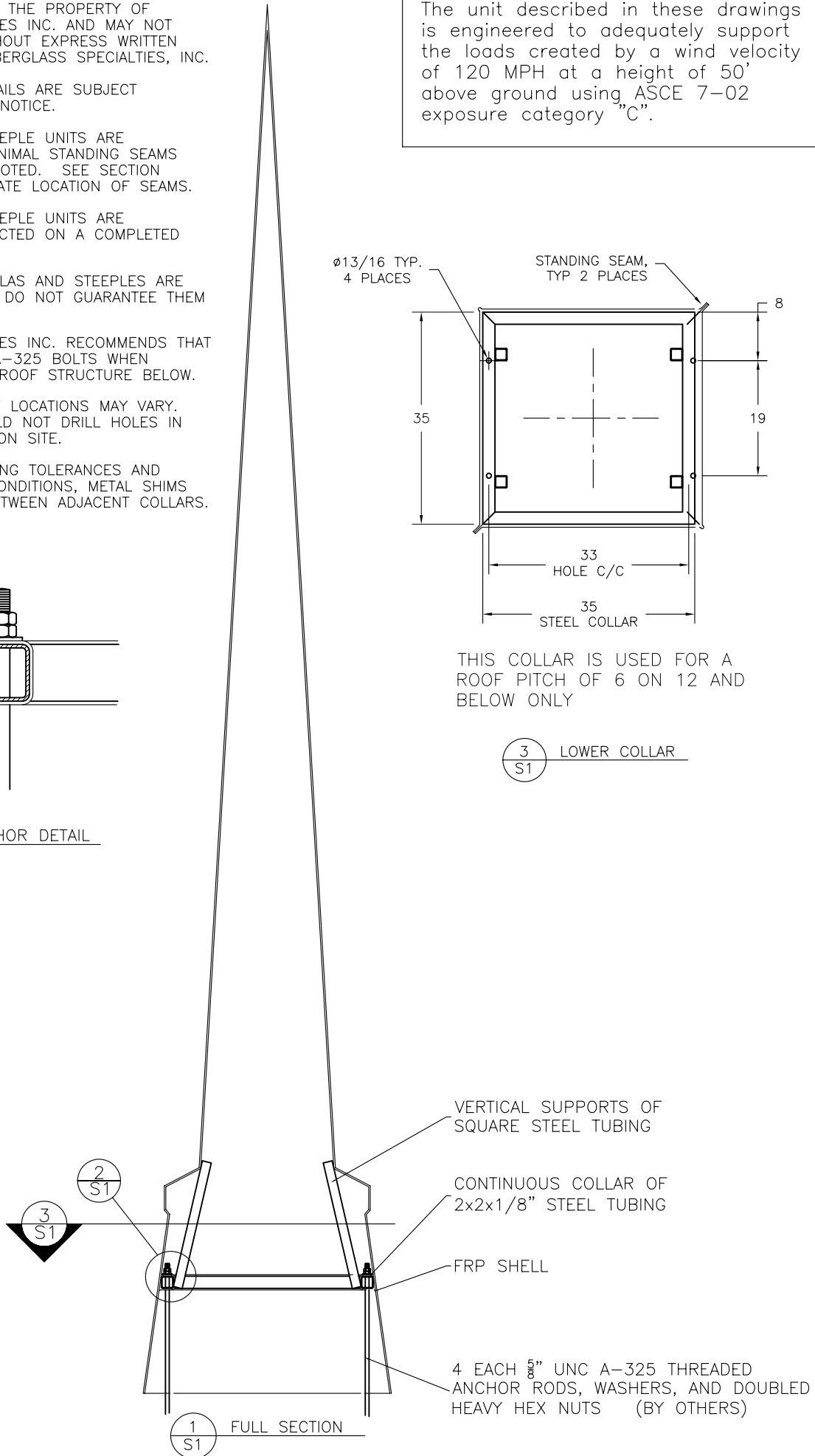


2 ANCHOR DETAIL
S1



THIS COLLAR IS USED FOR A ROOF PITCH OF 6 ON 12 AND BELOW ONLY

3 LOWER COLLAR
S1



1 FULL SECTION
S1

VERTICAL SUPPORTS OF SQUARE STEEL TUBING

CONTINUOUS COLLAR OF 2x2x1/8" STEEL TUBING

FRP SHELL

4 EACH 5/8" UNC A-325 THREADED ANCHOR RODS, WASHERS, AND DOUBLED HEAVY HEX NUTS (BY OTHERS)