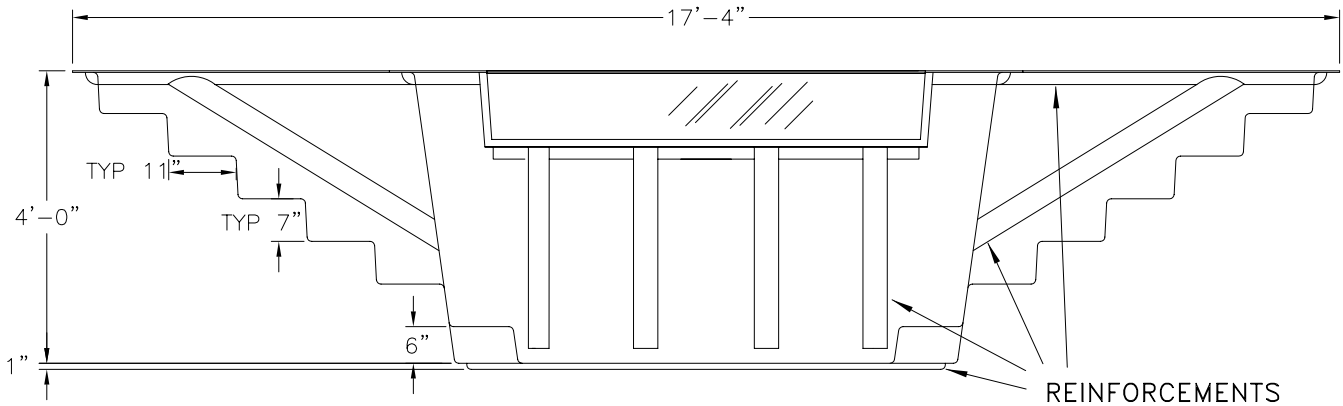


PLAN VIEW

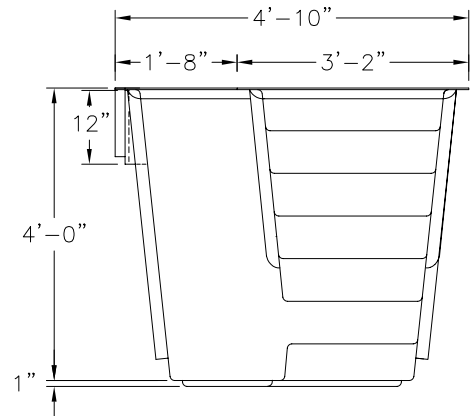
Capacity: 1050 gal.



SIDE VIEW

NOTE:

Steps shall conform to nationally accepted model building code requirements with regard to riser height and tread width. Step tread surfaces shall have a raised disk slip-resistant surface. All corners shall be gently rounded for safety.



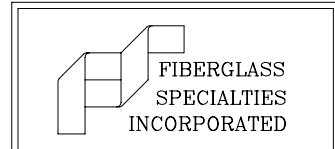
END VIEW

Installation Notes:
Plumbing holes (drain, heater, etc.) to be located and cut in field by contractor or plumber.
Drain should be located in any of the four corners of the tank floor.

SHEET
NO. 1 OF 1

DATE: 10-30-02	SHEET FILE NAME: NEW BAPT\T2
DRAWN BY: JC	REVISION: 0
CHECKED BY:	APPROVED BY:

BAPTISTRY T2L-WF



P.O. BOX 1340
HENDERSON, TEXAS
75653-1340
903/657-6522
FAX# 903/657-2318